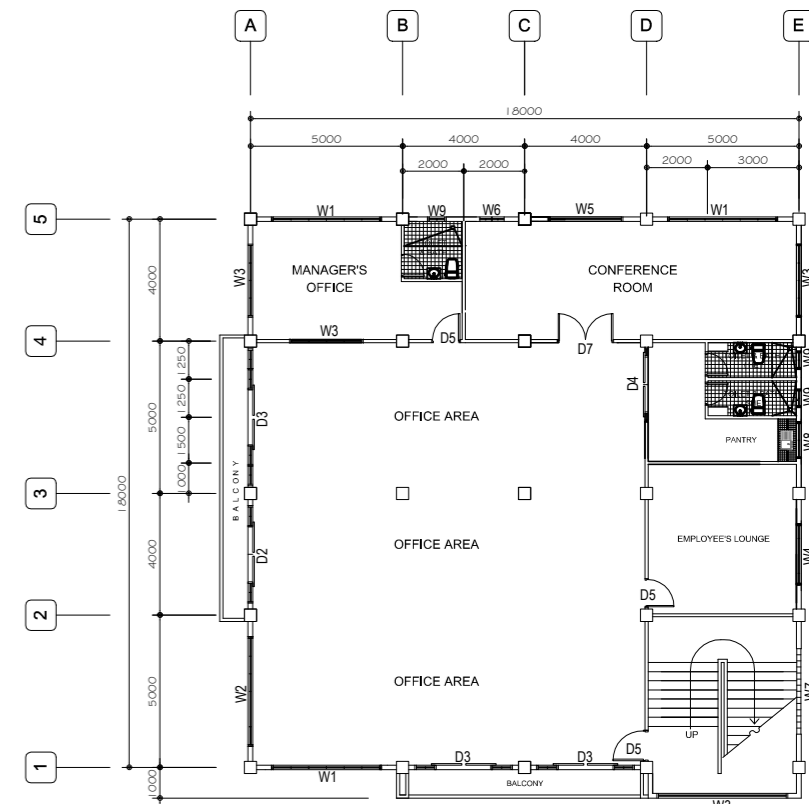


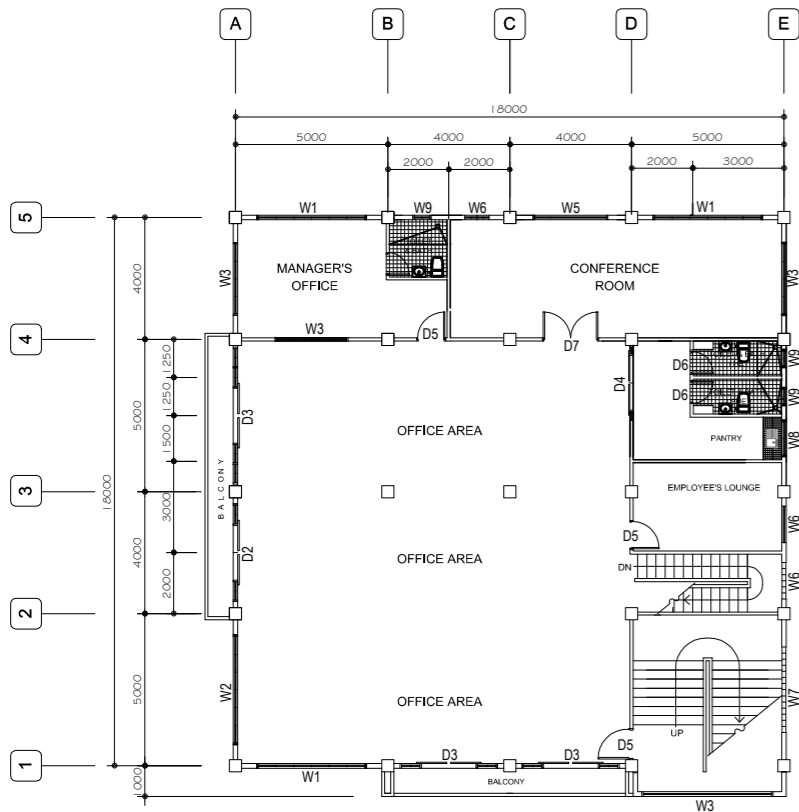
GROUND FLOOR PLAN



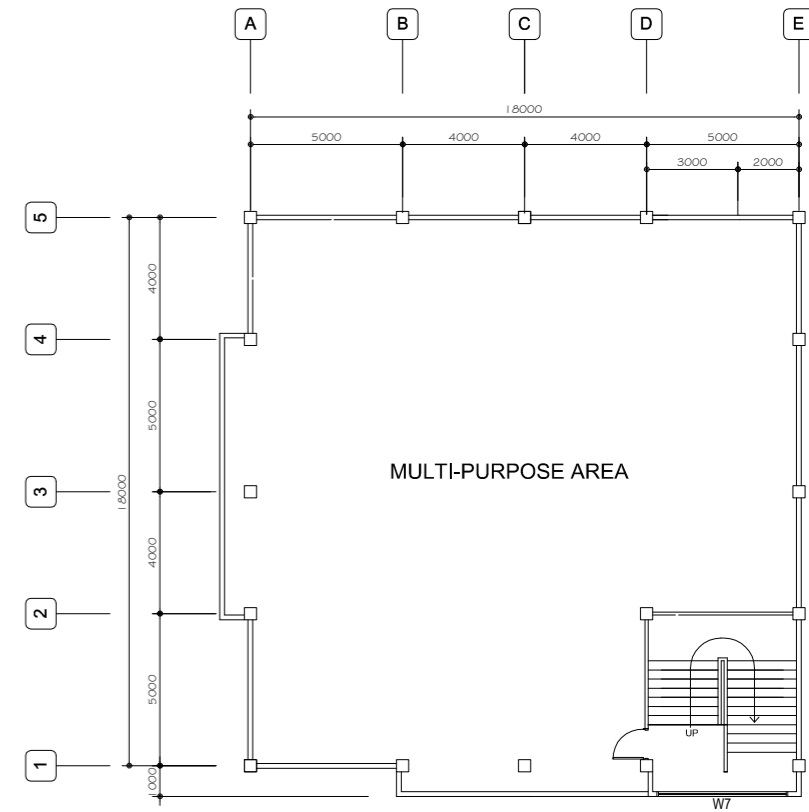
PERSPECTIVE



TYPICAL THIRD & FOURTH FLOOR PLAN



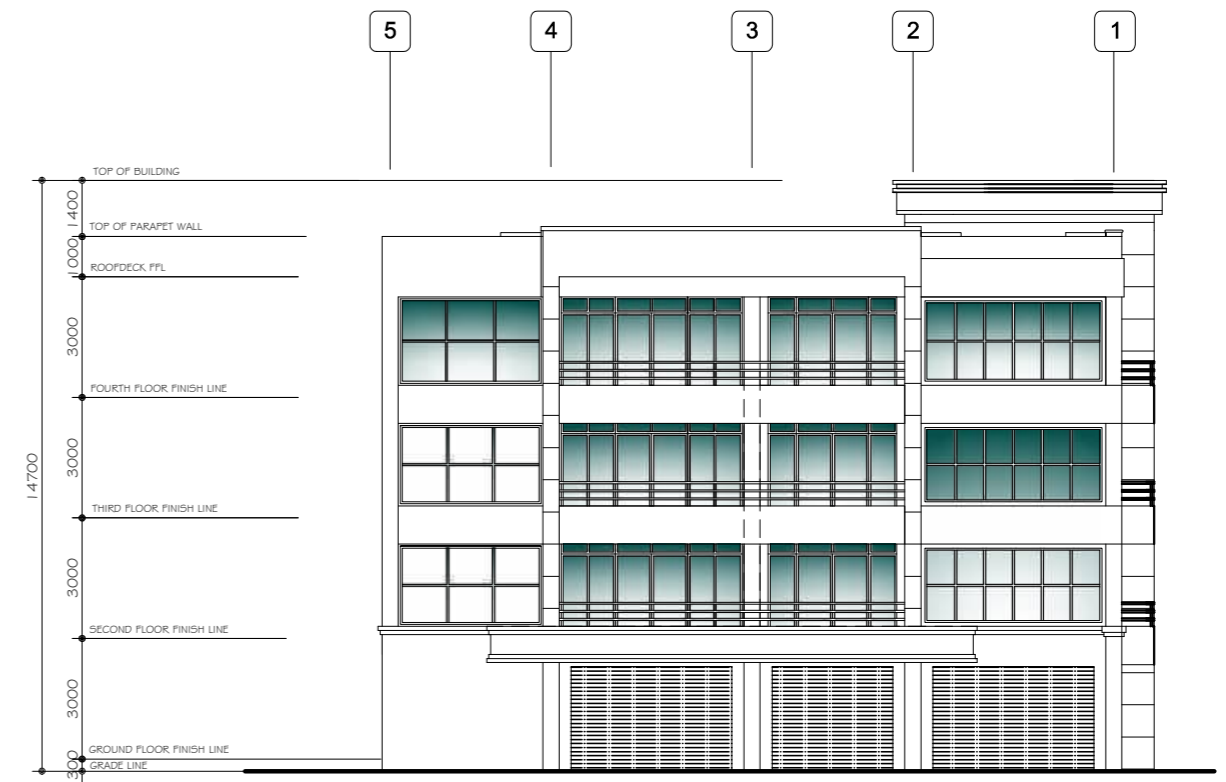
SECOND FLOOR PLAN



ROOFDECK PLAN



FRONT ELEVATION



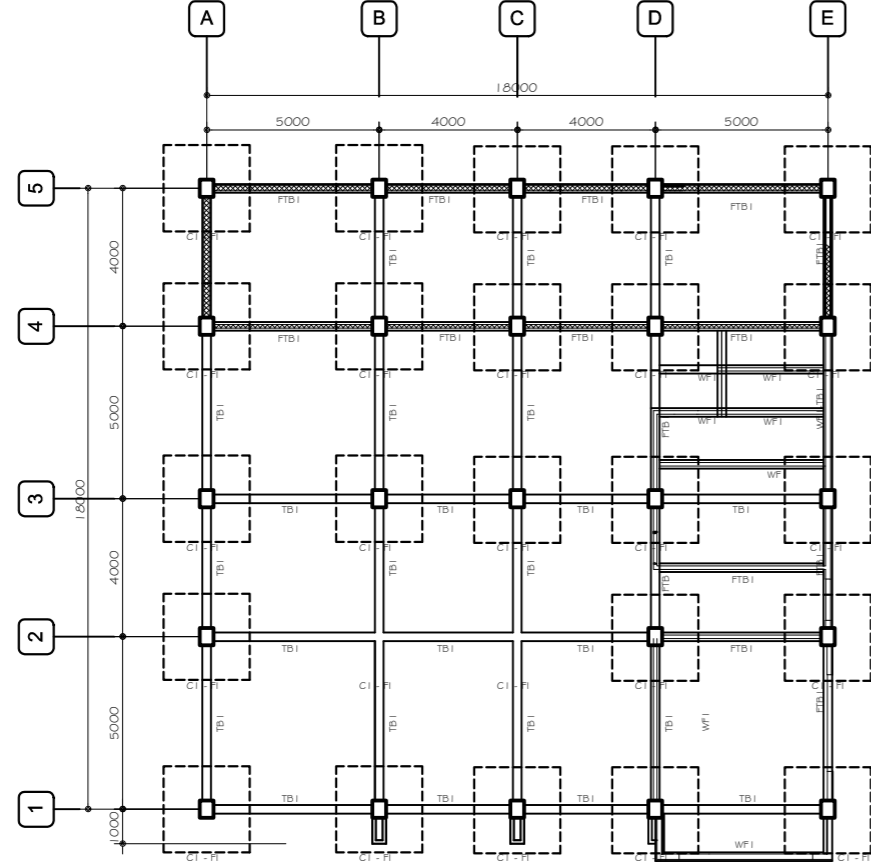
LEFT SIDE ELEVATION



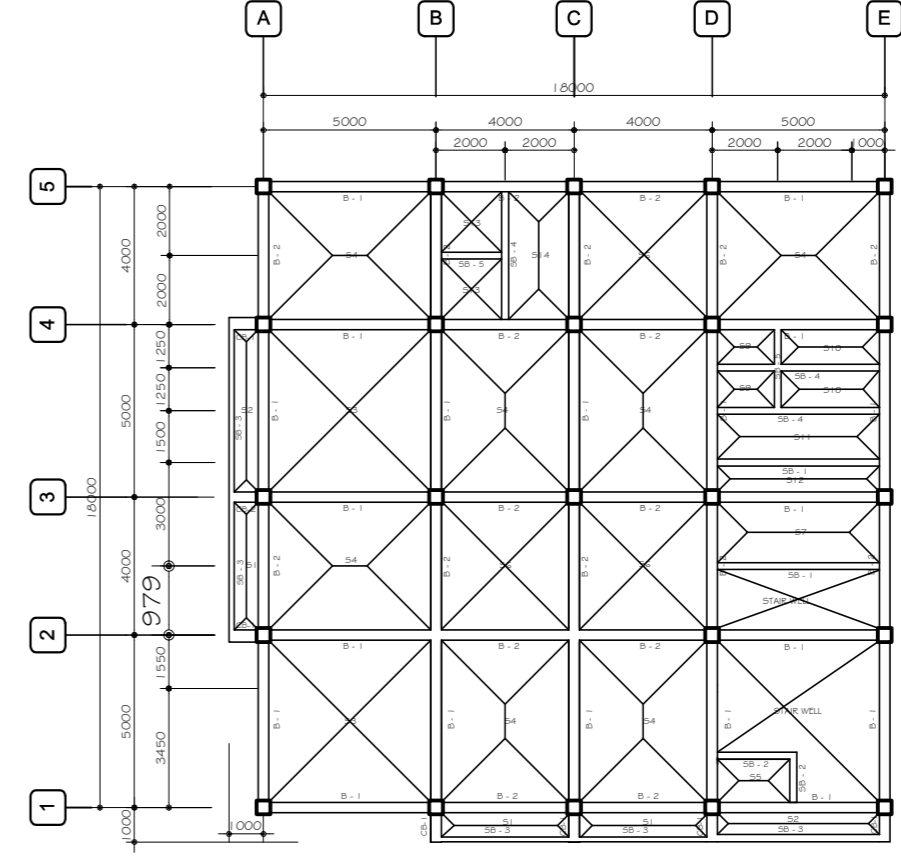
REAR ELEVATION



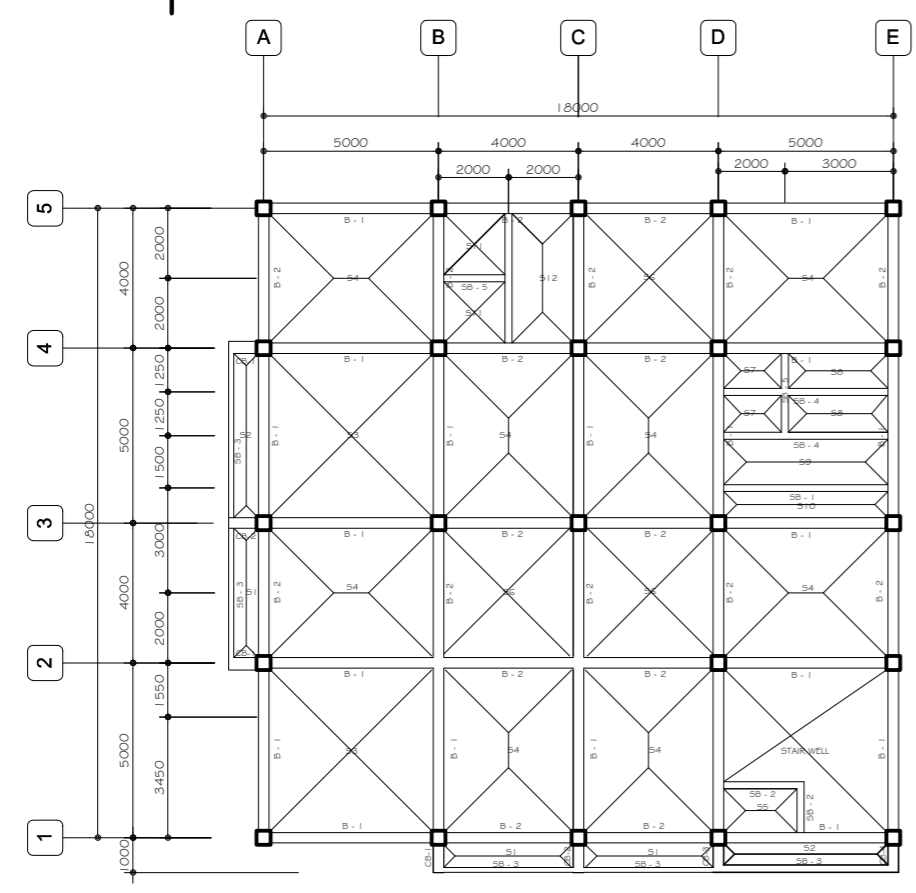
RIGHT SIDE ELEVATION



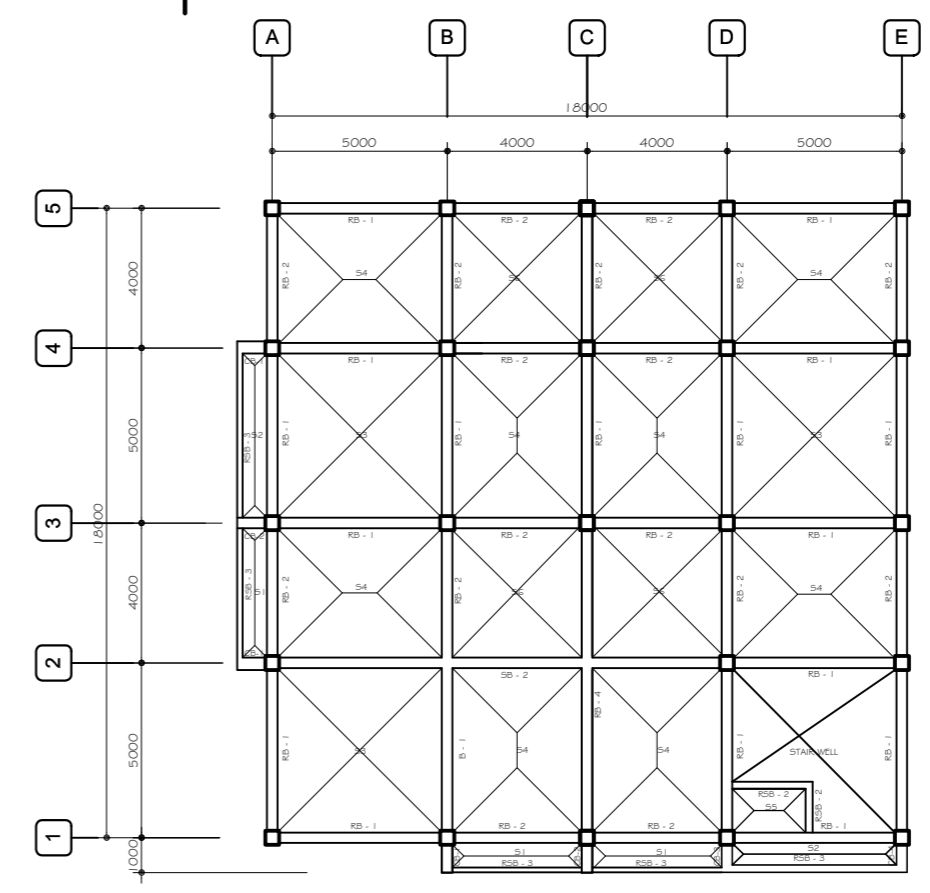
FOUNDATION PLAN



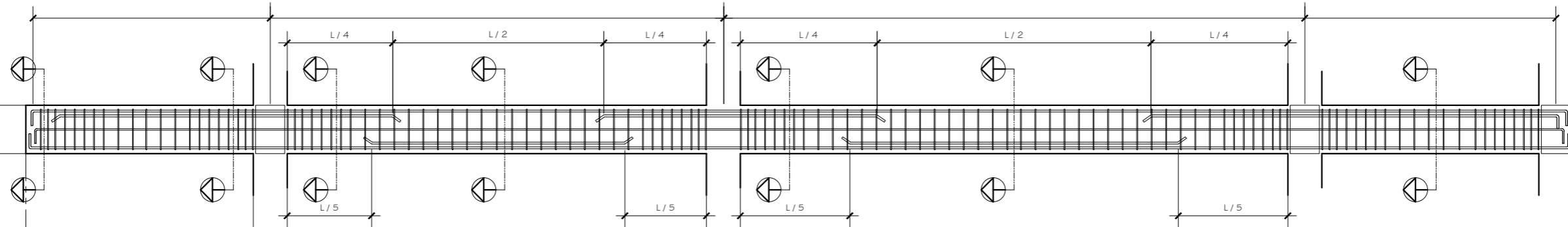
SECOND FLOOR FRAMING PLAN



TYPICAL THIRD & FOURTH FLOOR FRAMING PLAN



ROOF DECK FRAMING PLAN



DETAIL OF CB

DETAIL OF B - 1

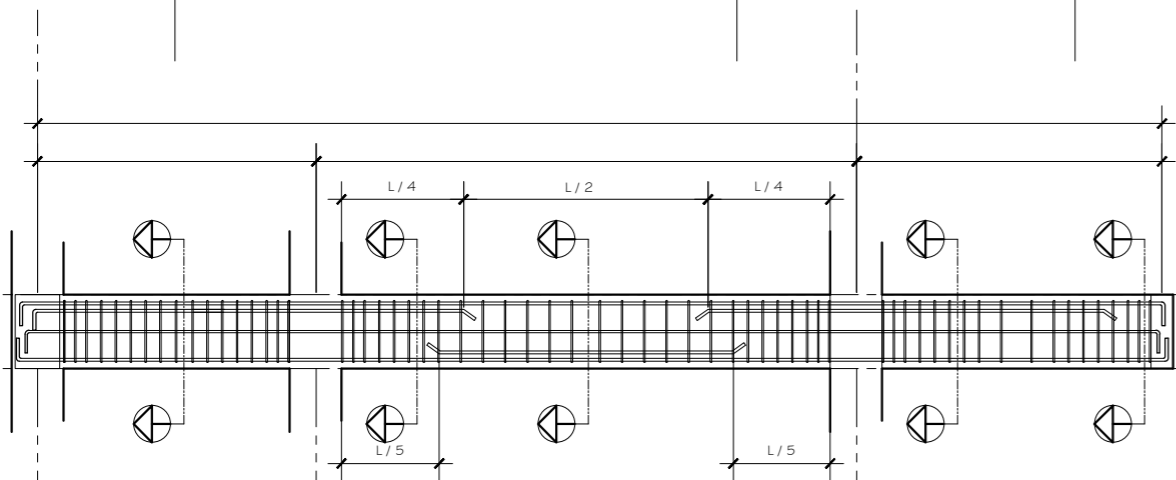
DETAIL OF B - 1

DETAIL OF B - 2

CB SCALE 1 : 50 METERS	
SECTION AT SUPPORT	SECTION AT FREESPAN
<p>6 - 20 mm dia. RSB 2 - 16 mm dia. RSB 4 - 20 mm dia. RSB</p>	<p>4 - 20 mm dia. RSB 2 - 16 mm dia. RSB 6 - 20 mm dia. RSB</p>
STIRRUPS :	
10mm dia. TIES SPACED AT 3@ 75, 5@100, REST @ 150mm O.C.	

B - 1 SCALE 1 : 50 METERS	
SECTION AT SUPPORT	SECTION AT MIDSPAN
<p>6 - 20 mm dia. RSB 2 - 16 mm dia. RSB 4 - 20 mm dia. RSB</p>	<p>4 - 20 mm dia. RSB 2 - 16 mm dia. RSB 6 - 20 mm dia. RSB</p>
STIRRUPS :	
10mm dia. TIES SPACED AT 3@ 75, 5@100, REST @ 150mm O.C.	

B - 2 SCALE 1 : 50 METERS
SECTION AT ENTIRE SPAN
<p>6 - 20 mm dia. RSB 2 - 16 mm dia. RSB 4 - 20 mm dia. RSB</p>
STIRRUPS :
10mm dia. TIES SPACED AT 3@ 75, REST @ 100mm O.C.

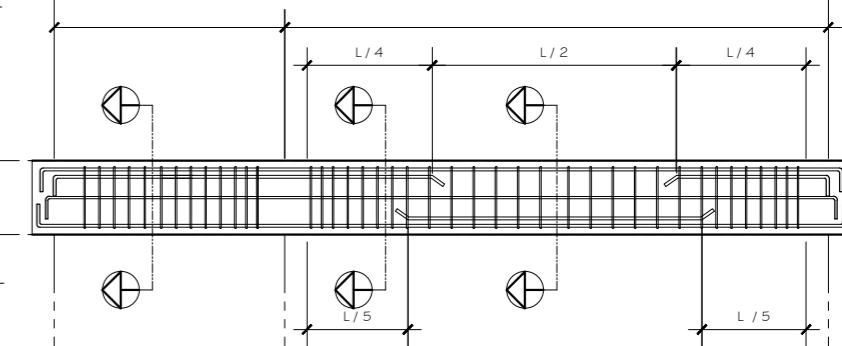


DETAIL OF B - 2

DETAIL OF B - 1

DETAIL OF CB

SB - 3 SCALE 1 : 50 METERS	
SECTION AT SUPPORT	SECTION AT MIDSPAN
<p>4 - 16 mm dia. RSB 2 - 12 mm dia. RSB 2 - 16 mm dia. RSB</p>	<p>2 - 16 mm dia. RSB 2 - 12 mm dia. RSB 4 - 16 mm dia. RSB</p>
STIRRUPS :	
10mm dia. TIES SPACED AT 3@ 75, 5@100, REST @ 150mm O.C.	



DETAIL OF B - 4

DETAIL OF B - 3

B - 2 SCALE 1 : 50 METERS
SECTION AT ENTIRE SPAN
<p>6 - 20 mm dia. RSB 2 - 16 mm dia. RSB 4 - 20 mm dia. RSB</p>
STIRRUPS :
10mm dia. TIES SPACED AT 3@ 75, REST @ 100mm O.C.

B - 1 SCALE 1 : 50 METERS	
SECTION AT SUPPORT	SECTION AT MIDSPAN
<p>6 - 20 mm dia. RSB 2 - 16 mm dia. RSB 4 - 20 mm dia. RSB</p>	<p>4 - 20 mm dia. RSB 2 - 16 mm dia. RSB 6 - 20 mm dia. RSB</p>
STIRRUPS :	
10mm dia. TIES SPACED AT 3@ 75, 5@100, REST @ 150mm O.C.	

CB SCALE 1 : 50 METERS	
SECTION AT SUPPORT	SECTION AT FREESPAN
<p>6 - 20 mm dia. RSB 2 - 16 mm dia. RSB 4 - 20 mm dia. RSB</p>	<p>4 - 20 mm dia. RSB 2 - 16 mm dia. RSB 6 - 20 mm dia. RSB</p>
STIRRUPS :	
10mm dia. TIES SPACED AT 3@ 75, 5@100, REST @ 150mm O.C.	

SB - 1 SCALE 1 : 50 METERS	
SECTION AT ENTIRE SPAN	SECTION AT MIDSPAN
<p>5 - 16 mm dia. RSB 2 - 12 mm dia. RSB 3 - 16 mm dia. RSB</p>	<p>2 - 16 mm dia. RSB 2 - 12 mm dia. RSB 5 - 16 mm dia. RSB</p>
STIRRUPS :	
10mm dia. TIES SPACED AT 3@ 75, REST @ 100mm O.C.	

SB - 2 SCALE 1 : 50 METERS
SECTION AT ENTIRE SPAN
<p>5 - 16 mm dia. RSB 2 - 12 mm dia. RSB 3 - 16 mm dia. RSB</p>
STIRRUPS :
10mm dia. TIES SPACED AT 3@ 75, REST @ 100mm O.C.

