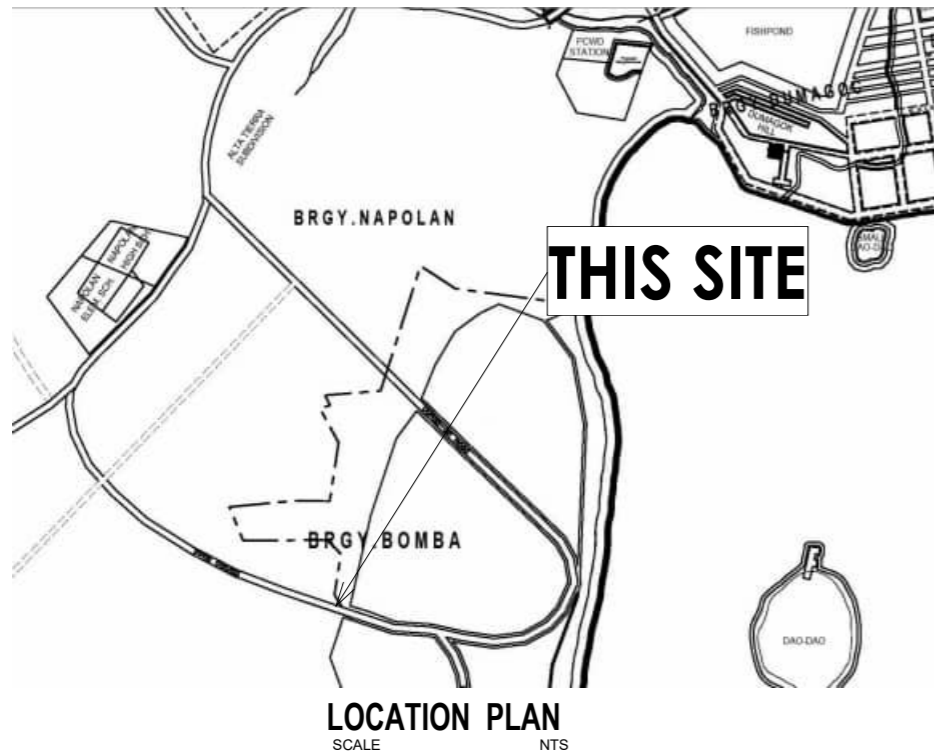


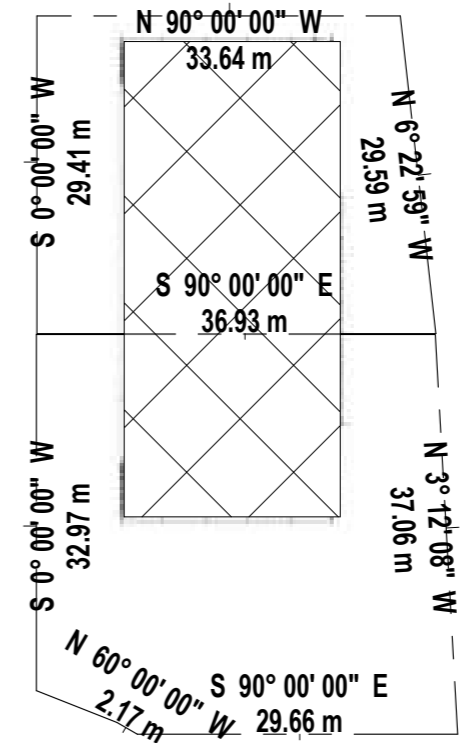


PERSPECTIVE



Lot Technical Description				
LINE	N/S	Bearing	E/W	Distance
	S	0° 00' 00"	W	29.41 m
	N	90° 00' 00"	W	33.64 m
	S	90° 00' 00"	E	36.93 m
	N	6° 22' 59"	W	29.59 m
	S	0° 00' 00"	W	32.97 m
	S	90° 00' 00"	E	29.66 m
	N	3° 12' 08"	W	37.06 m
	N	90° 00' 00"	W	36.93 m
	N	60° 00' 00"	W	2.17 m
	N	68° 27' 33"	W	8.02 m

DRAWING LIST	
SHEET	CONTENTS
A1 - A1/A4	SITE DEVELOPMENT PLAN PERSPECTIVE, LOT PLAN VICINITY MAP
A2 - A2/A4	GROUND FLOOR PLAN AND SECOND FLOOR PLAN
A3 - A3/A4	Cottage Haven & Roof Framing Plan
A4 - A4/A4	REAR ELEVATION, LATUDINAL SECTION ROOF FRAMING LONGITUDINAL SECTION
S1 - S1/S5	FOOTING DETAIL, GIRT, BEAM DETAIL, GIRDER, FUNCTIONAL HALL FOOTING FRAMING
S2 - S2/S5	POOL FOUNDATION DETAILS
S3 - S3/S5	POOL DETAILS 2
S4 - S4/S5	COTTAGE NIPA BAMBO DETAILS
S5 - S5/S5	Cottage Haven & Function Hall, Footing Framing, Column, Beam Detail
S5 - S5/S6	Cottage Haven & Function Hall, Footing Framing, Column, Beam Detail Copy 1
xE - E1/E1	ELECTRICAL PLAN



REPUBLIC OF THE PHILIPPINES

O B O

OFFICE OF THE BUILDING OFFICIALS

APPROVED: _____ DATE: _____

MARIA RHODORA M. PATI-AN
OIC ZONING ADMINISTRATOR

LAND USE AND ZONING

APPROVED: _____ DATE: _____

WARIS H. MARCABAN
BUILDING INSPECTOR

LINE AND GRADE

APPROVED: _____ DATE: _____

BENJAMIN E. MACAUMBANG
ENGINEER III

ARCHITECTURAL

APPROVED: _____ DATE: _____

BENJAMIN E. MACAUMBANG
ENGINEER III

STRUCTURAL

APPROVED: _____ DATE: _____

SANITARY

APPROVED: _____ DATE: _____

MARIE SANITA S. FUENTES
ENGINEER IV

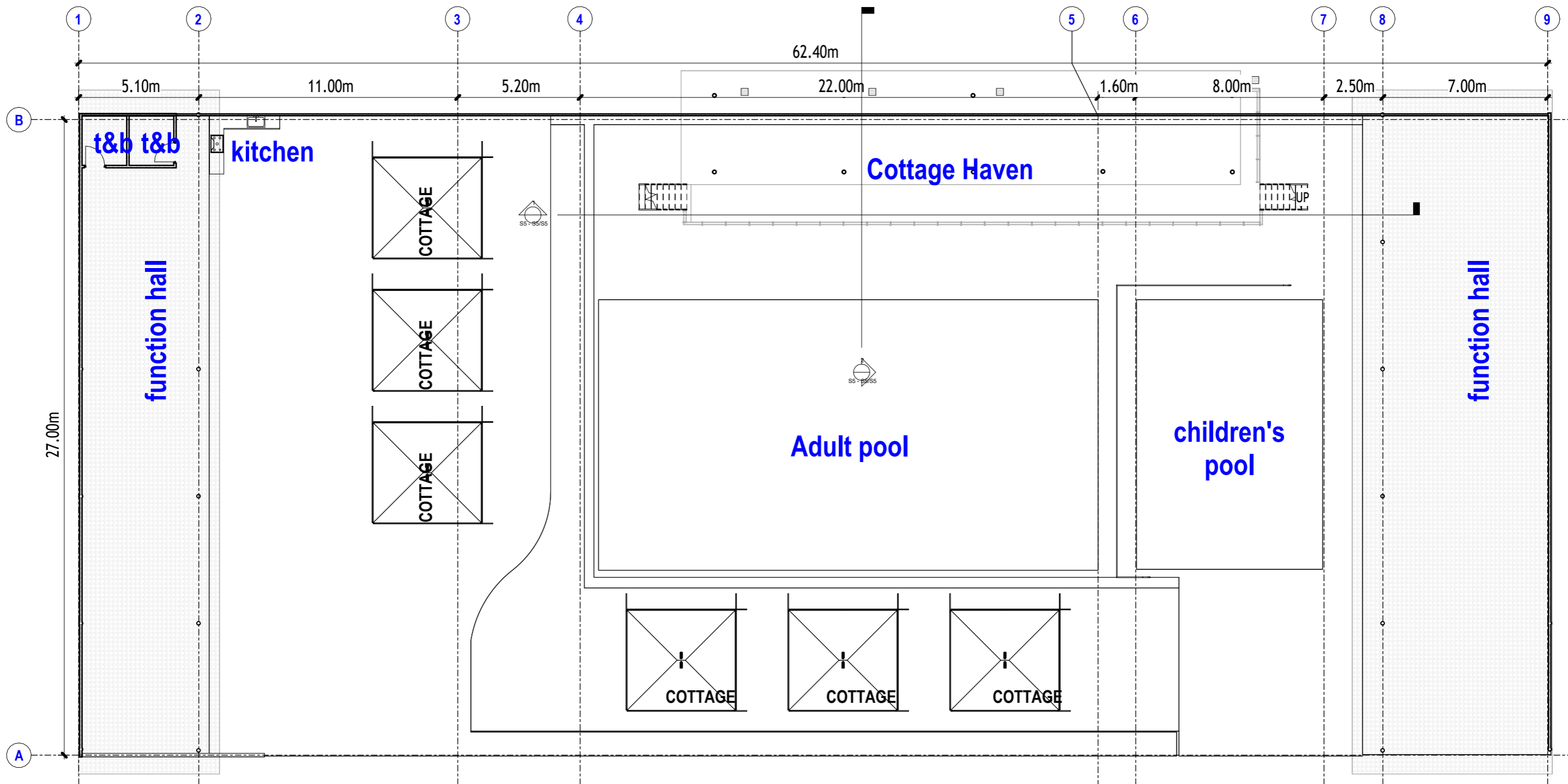
ELECTRICAL

CINSP. JASMIN S. TANOG, BFP
CITY FIRE MARSHAL

FIRE AND SAFETY

SAMUEL S. CO
CITY MAYOR

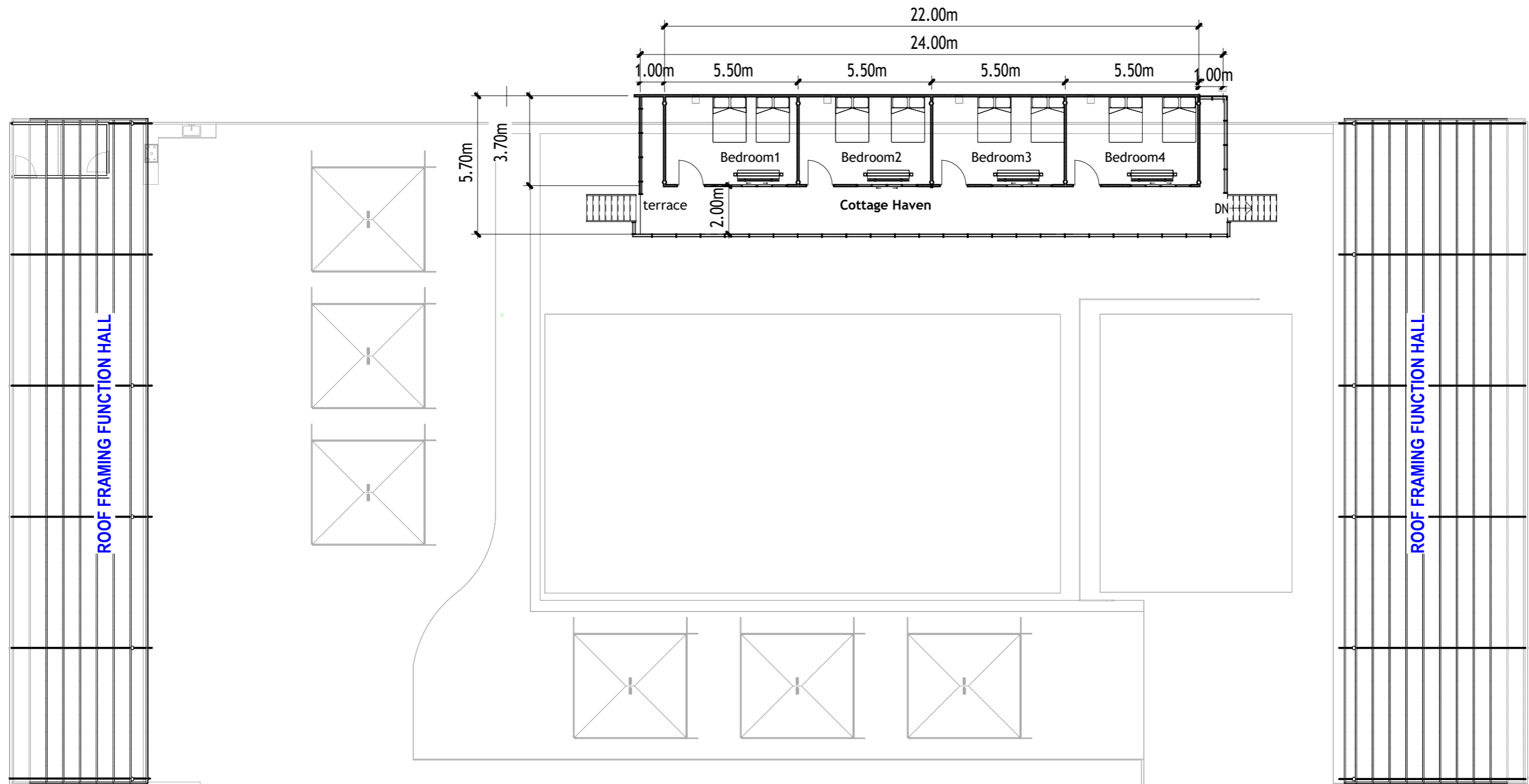
PREPARED BY: ENGR. RONIE G. ALONZO Civil Engineer	PRC NO : PTR NO. : 151596 Date issued : Issued at : Valid Until :	SEAL	PROJECT TITLE : <h2 style="text-align: center;">Construction of Swimming Pool Resort with Building Plan</h2> Location: BRGY. BOMBA, PAGADIAN CITY	CONFORMED BY : <h2 style="text-align: center;">Merdoline Donaire Mier</h2> Owner / Applicant	Sheet no. <div style="border: 1px solid black; border-radius: 50%; width: 40px; height: 40px; margin: 0 auto; display: flex; align-items: center; justify-content: center;"> <div style="border-right: 1px solid black; padding: 5px;">A</div> <div style="padding: 5px;">14</div> </div>
			DRAWN BY: EDGAR D. CASEÑAS #09383120747		



1 Pool Area Layout
 A2-A4 SCALE 1:175

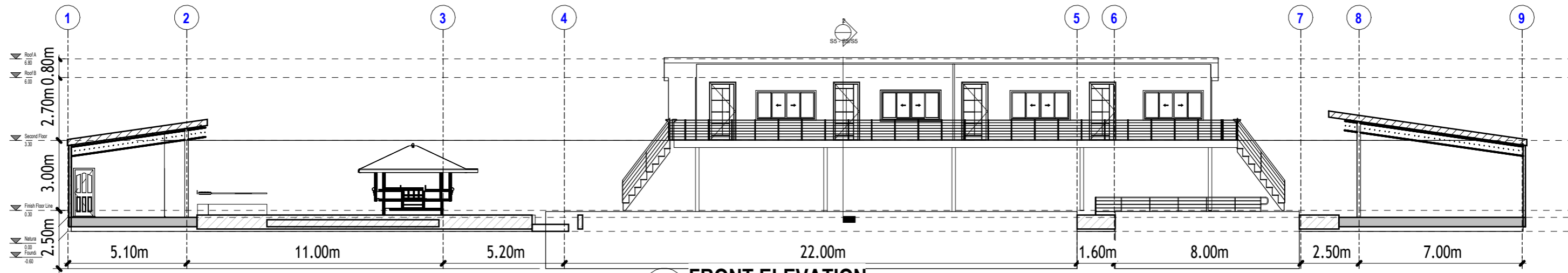
PREPARED BY: ENGR. RONIE G. ALONZO Civil Engineer	PRC NO : PTR NO. : 151596	SEAL	PROJECT TITLE : Construction of Swimming Pool Resort with Cottages and Function Hall BUILDING PLAN	CONFORMED BY : MERDOLINE DONAIRE MIER Owner / Applicant	Sheet no.
	Date issued :		Location: BRGY. BOMBA, PAGADIAN CITY		DRAWN BY: EDGAR D. CASEÑAS #09383120747
	Issued at :				
	Valid Until :				

A
2 4

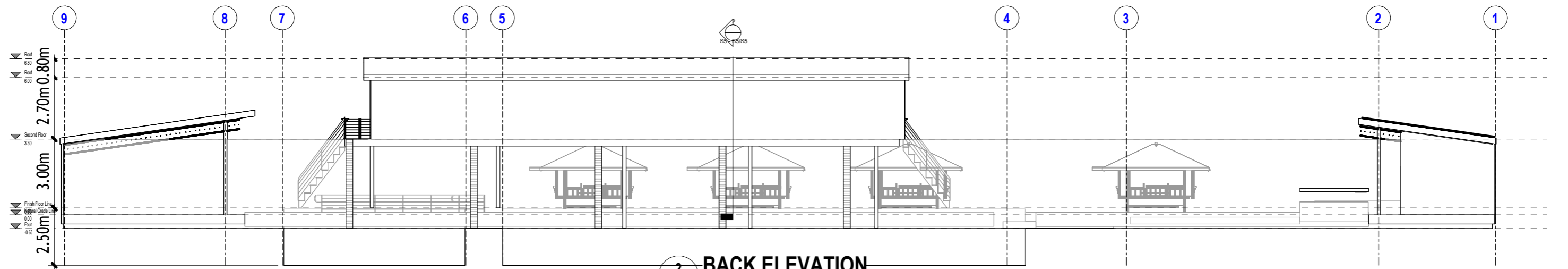


1 Cottage Haven & Roof Framing Plan
A3-A3/A4 SCALE 1:175

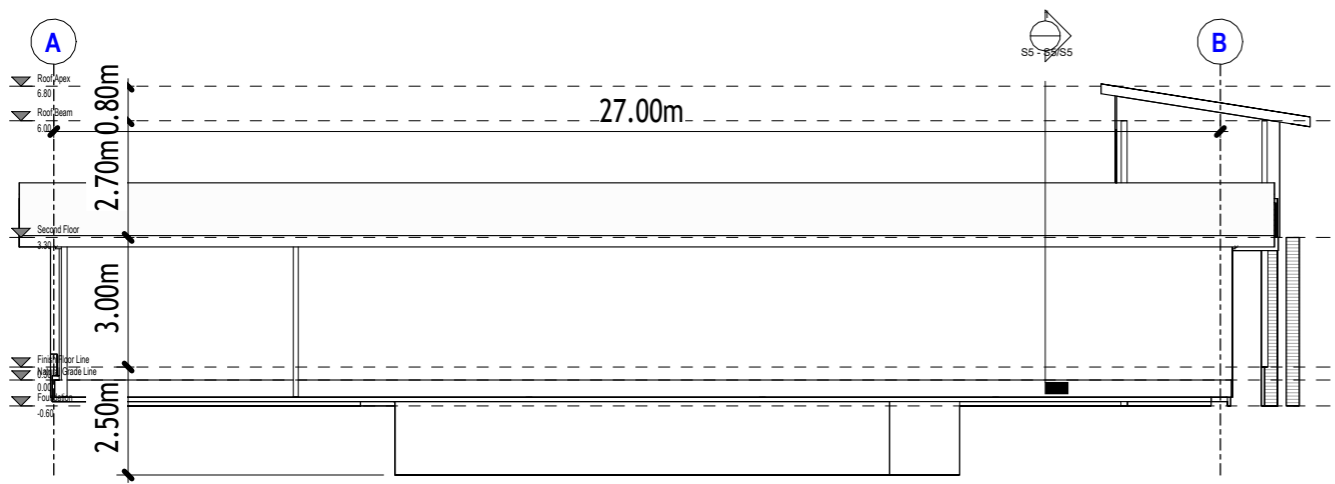
PREPARED BY: ENGR. RONIE G. ALONZO Civil Engineer	PRC NO : PTR NO. : 151596	SEAL	PROJECT TITLE : Construction of Swimming Pool Resort with Cottages and Function Hall BUILDING PLAN	CONFORMED BY : MERDOLINE DONAIRE MIER Owner / Applicant	Sheet no. <div style="border: 1px solid black; border-radius: 50%; width: 40px; height: 40px; display: flex; align-items: center; justify-content: center; margin: 0 auto;"> A <table border="1" style="border-collapse: collapse;"> <tr> <td style="width: 20px; height: 20px; text-align: center;">3</td> <td style="width: 20px; height: 20px; text-align: center;">4</td> </tr> </table> </div>	3	4
	3		4				
	Date issued :		Location: BRGY. BOMBA, PAGADIAN CITY		DRAWN BY: EDGAR D. CASEÑAS #09383120747		
	Issued at :						
Valid Until :							



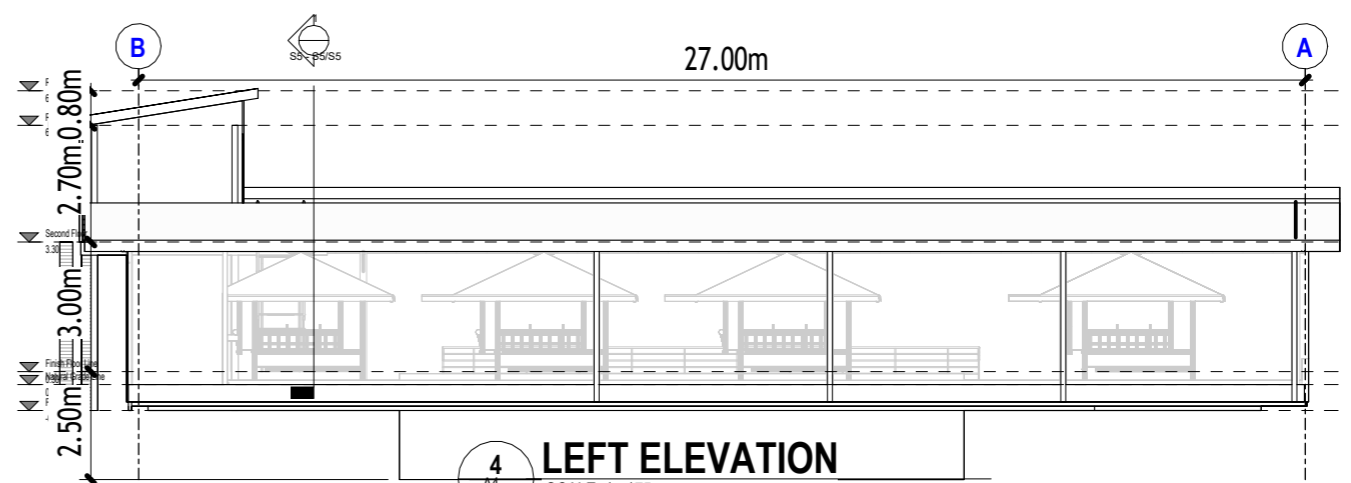
1 FRONT ELEVATION
A4 - A4/A4
 SCALE 1 : 175



2 BACK ELEVATION
A4 - A4/A4
 SCALE 1 : 175



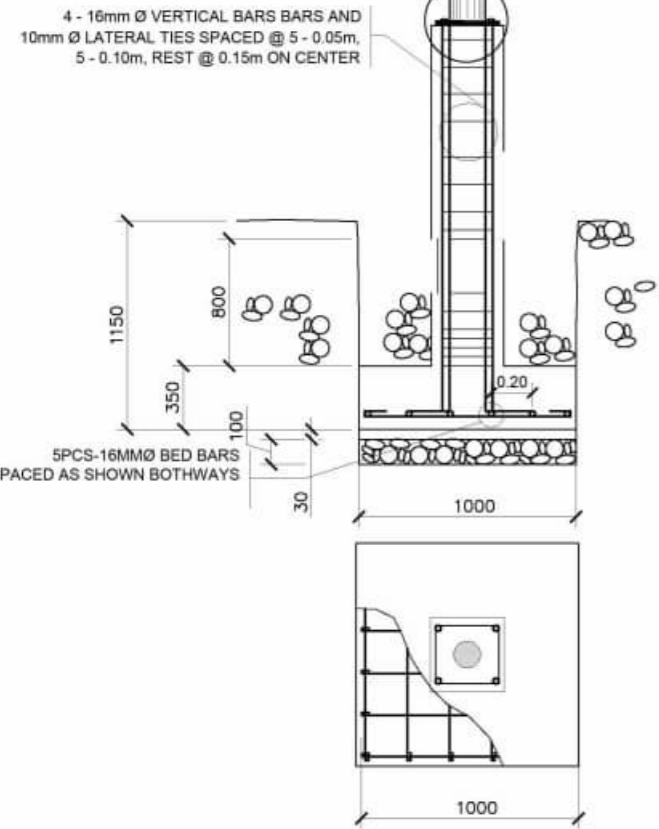
3 RIGHT ELEVATION
A4 - A4/A4
 SCALE 1 : 175



4 LEFT ELEVATION
A4 - A4/A4
 SCALE 1 : 175

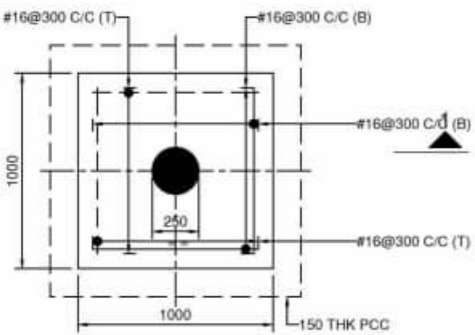
PREPARED BY: ENGR. RONIE G. ALONZO Civil Engineer	PRC NO : PTR NO. : 151596	SEAL	PROJECT TITLE : Construction of Swimming Pool Resort with Cottages and Function Hall BUILDING PLAN	CONFORMED BY : MERDOLINE DONAIRE MIER Owner / Applicant	Sheet no. <div style="border: 1px solid black; border-radius: 50%; width: 40px; height: 40px; display: flex; align-items: center; justify-content: center; margin: 0 auto;"> A 4 4 </div>
	Date issued :		Location: BRGY. BOMBA, PAGADIAN CITY		DRAWN BY: EDGAR D. CASEÑAS #09383120747
	Issued at :				
	Valid Until :				

FILL CONCRETE INSIDE



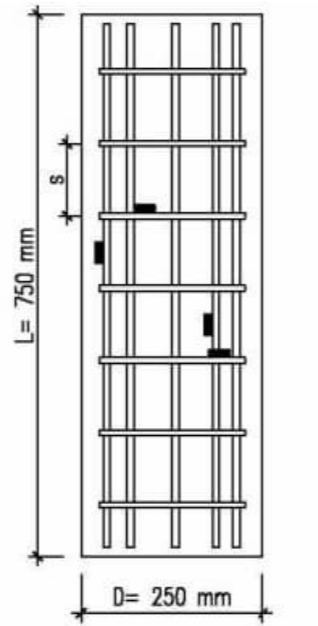
FOOTING DETAIL PLAN

SCALE 1:100 METERS

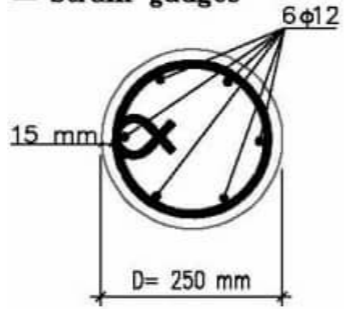


FOOTING FC4- PLAN

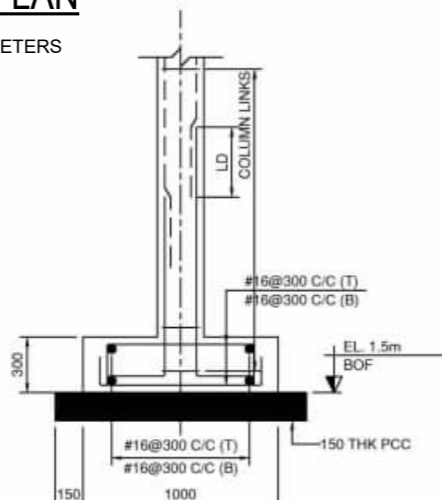
(SCALE 1:25)



Strain gauges

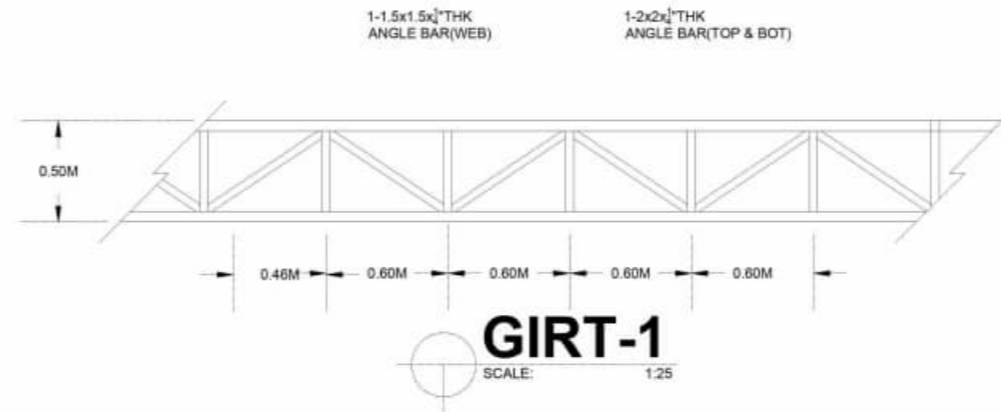


(a)



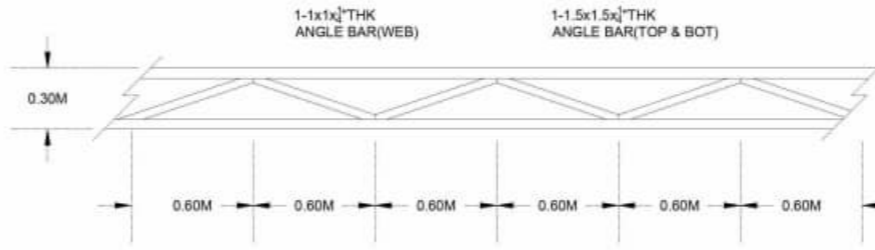
**SECTION 1-1
DETAIL OF FOOTING FC4**

(SCALE 1:25)



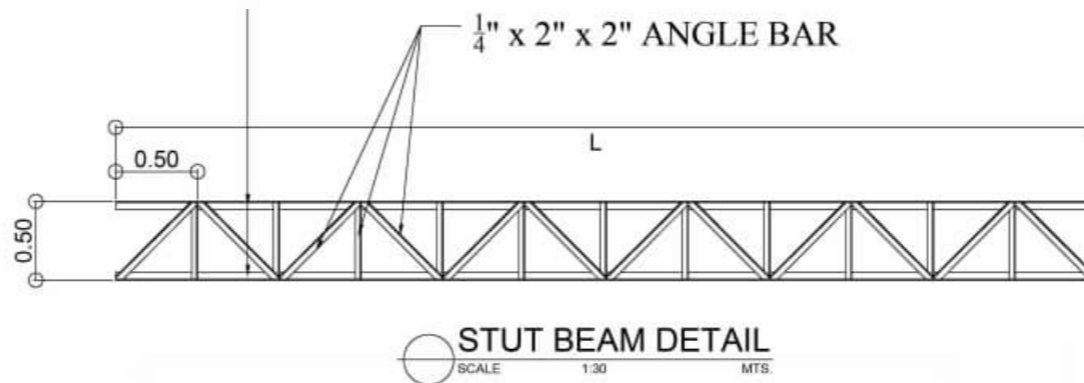
GIRT-1

SCALE: 1:25



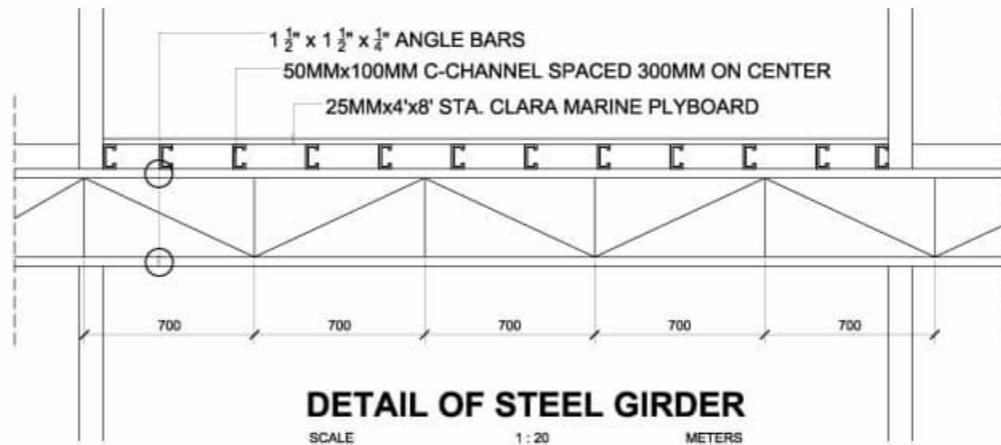
GIRT-2

SCALE: 1:25



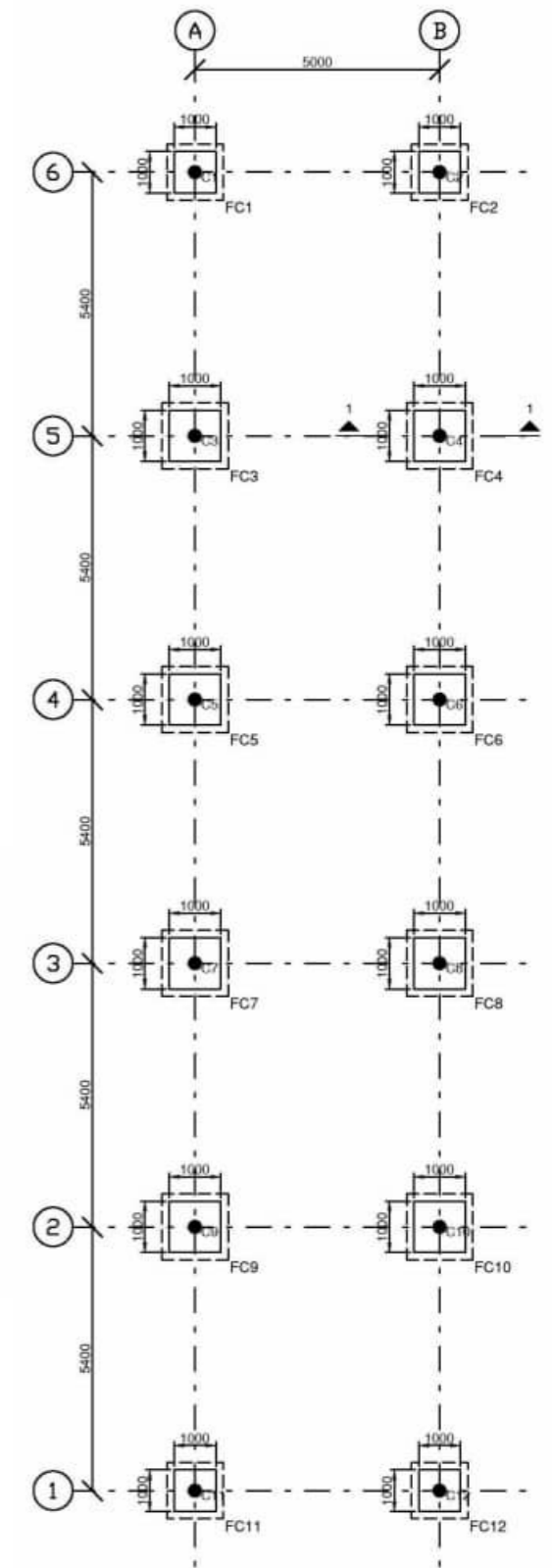
STUT BEAM DETAIL

SCALE 1:30 MTS.



DETAIL OF STEEL GIRDER

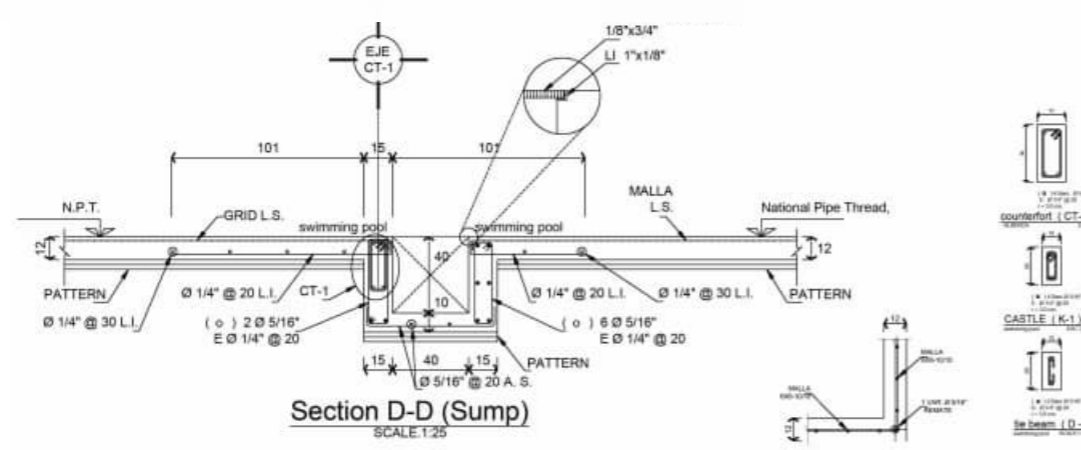
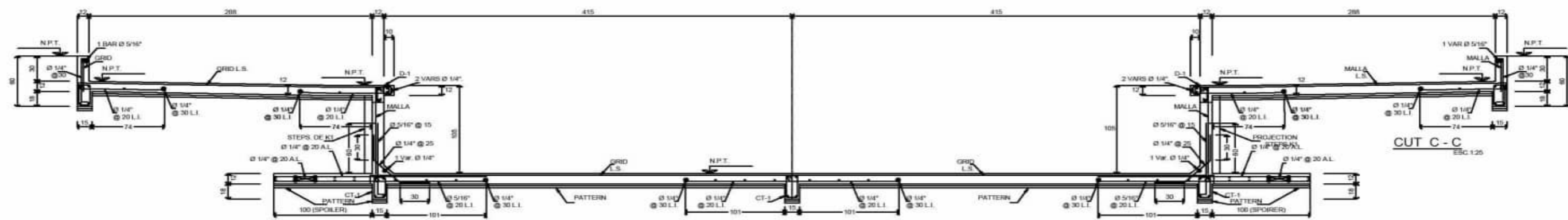
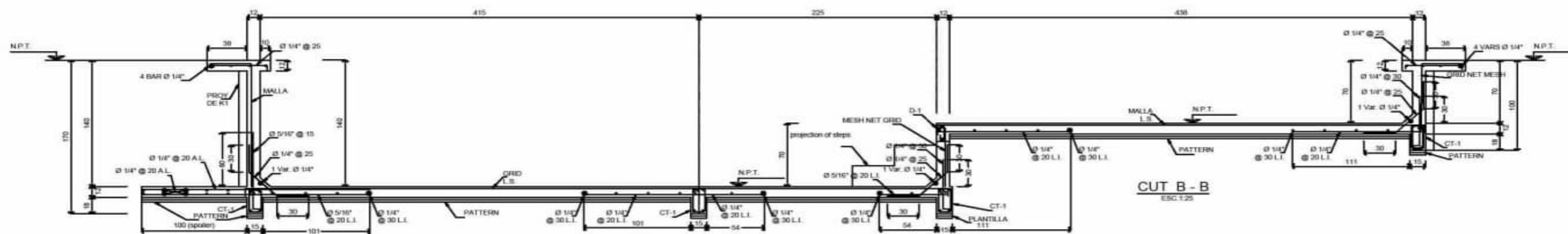
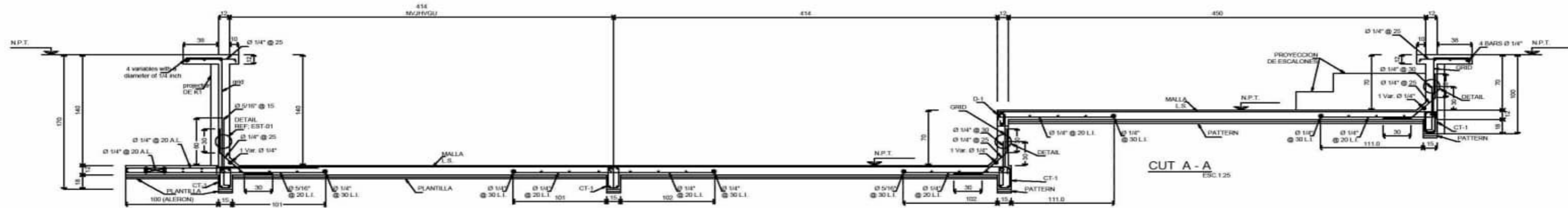
SCALE 1:20 METERS



SWIMMING POOL FOOTING FRAMING

SCALE 1:100 METERS

PREPARED BY: ENGR. RONIE G. ALONZO Civil Engineer	PRC NO : PTR NO. : 151596	SEAL	PROJECT TITLE : Construction of Swimming Pool Resort with Cottages and Function Hall BUILDING PLAN	CONFORMED BY : MERDOLINE DONAIRE MIER Owner / Applicant	Sheet no. <div style="border: 1px solid black; border-radius: 50%; width: 40px; height: 40px; display: flex; align-items: center; justify-content: center; margin: 0 auto;"> <div style="text-align: center;">S</div> <div style="display: flex; gap: 5px;"> 1 5 </div> </div>		
	Date issued :					Location: BRGY. BOMBA, PAGADIAN CITY	DRAWN BY: EDGAR D. CASEÑAS #09383120747
	Issued at :						
	Valid Until :						



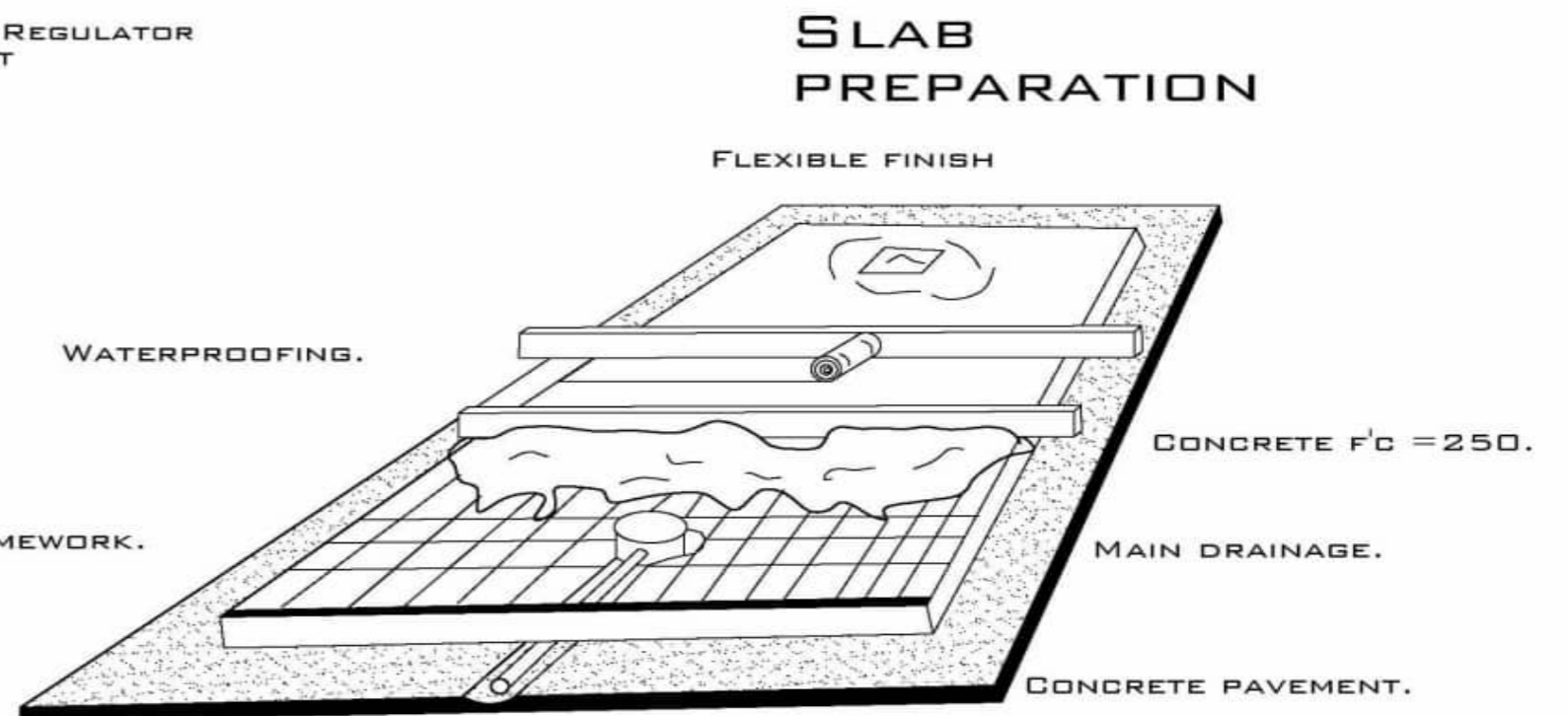
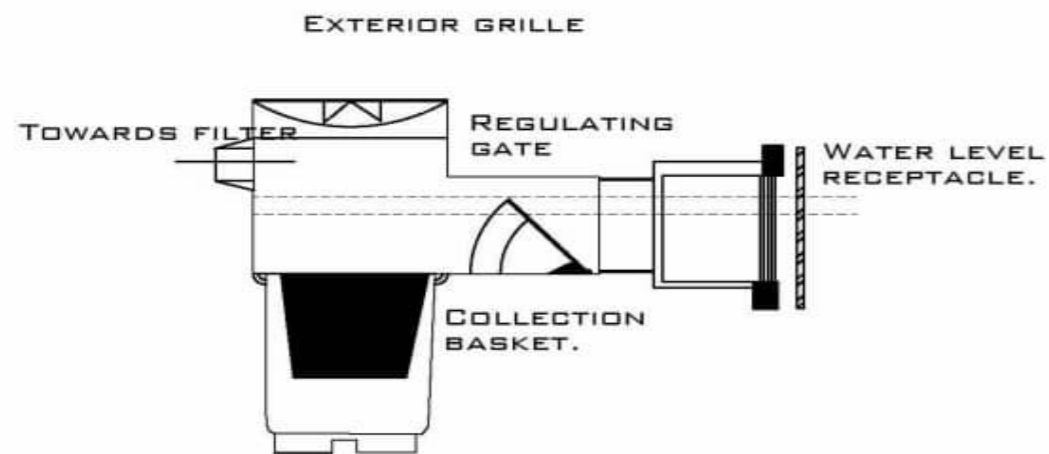
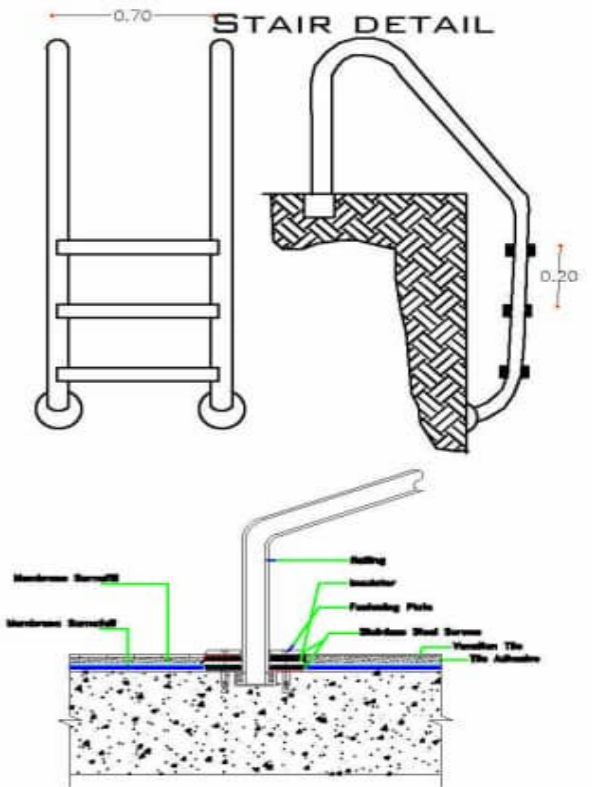
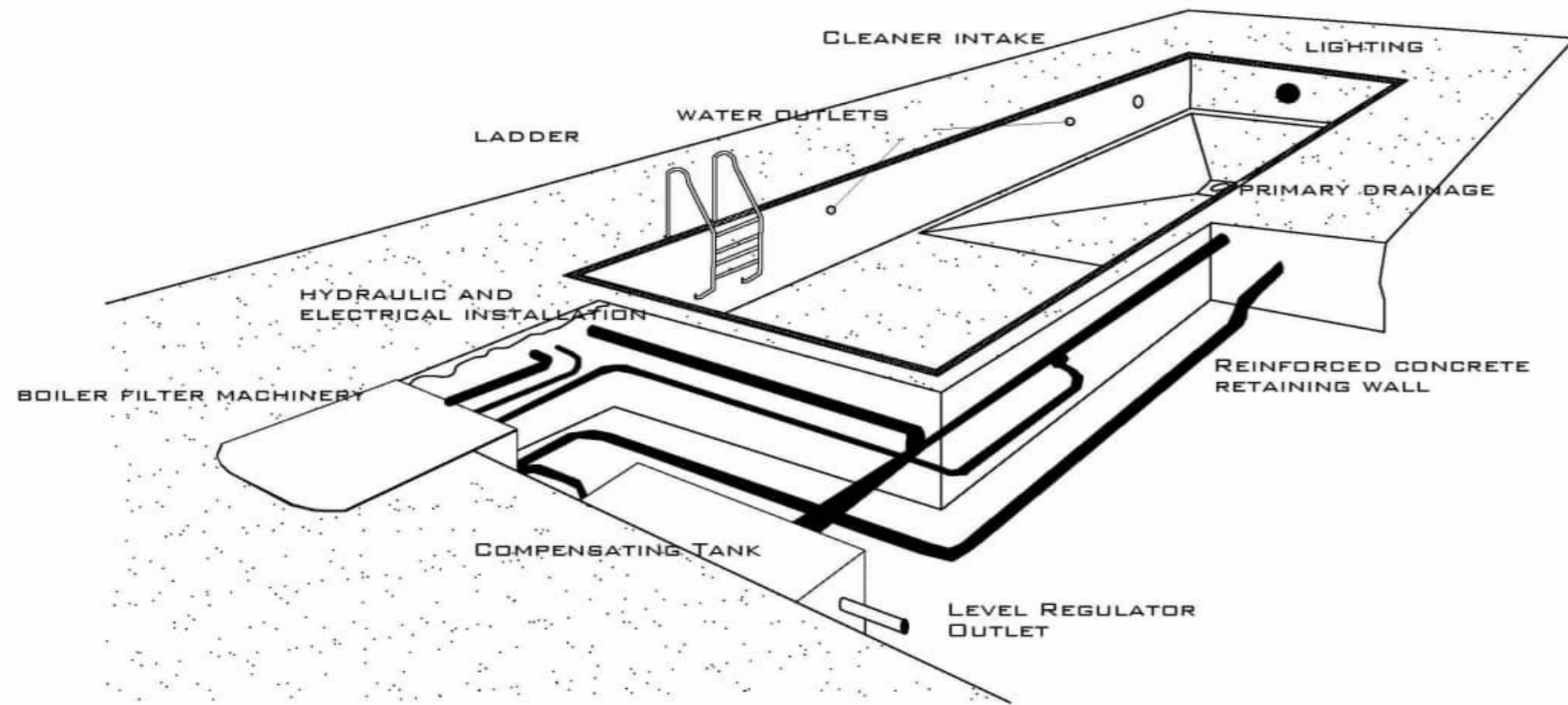
SWIMMING POOL FOUNDATION PLAN

SCALE 1:100 METERS

PREPARED BY: ENGR. RONIE G. ALONZO Civil Engineer	PRC NO : PTR NO. : 151596 Date issued : Issued at : Valid Until :	SEAL	PROJECT TITLE : <p style="text-align: center;">Construction of Swimming Pool Resort with Cottages and Function Hall</p> BUILDING PLAN Location: BRGY. BOMBA, PAGADIAN CITY	CONFORMED BY : <p style="text-align: center;">MERDOLINE DONAIRE MIER</p> Owner / Applicant	Sheet no. <div style="text-align: center; border: 1px solid black; border-radius: 50%; width: 40px; height: 40px; margin: 0 auto; display: flex; align-items: center; justify-content: center;"> <div style="text-align: center; width: 15px; height: 15px; border: 1px solid black; border-radius: 50%; margin: 0 auto;">S</div> <div style="text-align: center; width: 15px; height: 15px; border: 1px solid black; border-radius: 50%; margin: 0 auto;">2</div> <div style="text-align: center; width: 15px; height: 15px; border: 1px solid black; border-radius: 50%; margin: 0 auto;">5</div> </div>
--	--	-------------	---	---	--

DRAWN BY: EDGAR D. CASEÑAS #09383120747

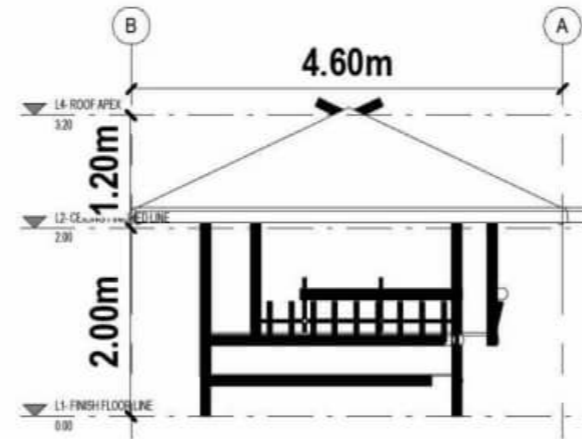
POOL DETAILS



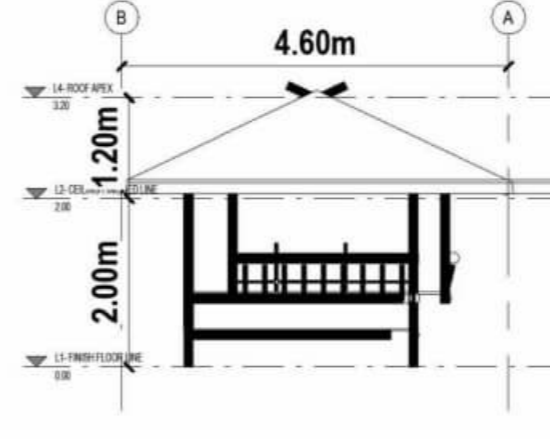
PREPARED BY:	PRC NO :	SEAL	PROJECT TITLE :	CONFORMED BY :	Sheet no.
ENGR. RONIE G. ALONZO Civil Engineer	PTR NO. : 151596		Construction of Swimming Pool Resort with Cottages and Function Hall BUILDING PLAN	MERDOLINE DONAIRE MIER Owner / Applicant	S 3 5
	Date issued :				
	Issued at :				
	Valid Until :				
		Location:	BRGY. BOMBA, PAGADIAN CITY		DRAWN BY: EDGAR D. CASEÑAS #09383120747



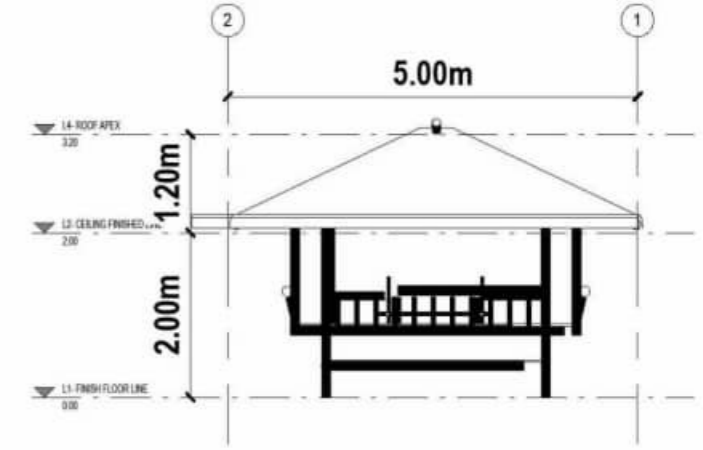
COTTAGE 3D VIEW



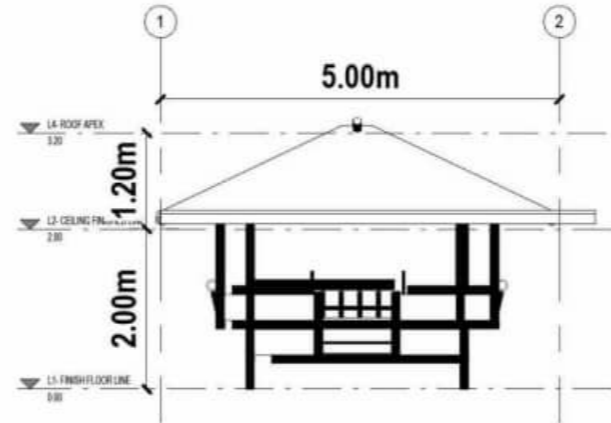
FRONT ELEVATION
SCALE 1:100 METERS



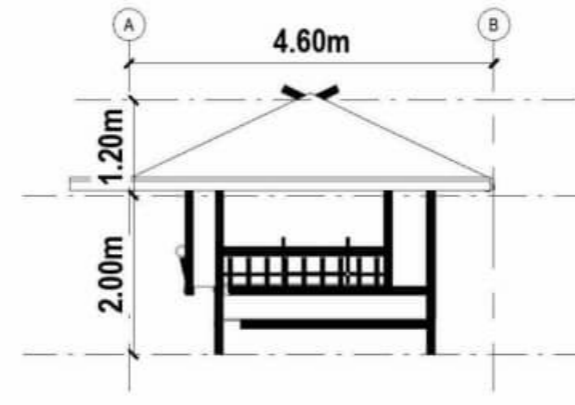
RIGHT ELEVATION
SCALE 1:100 METERS



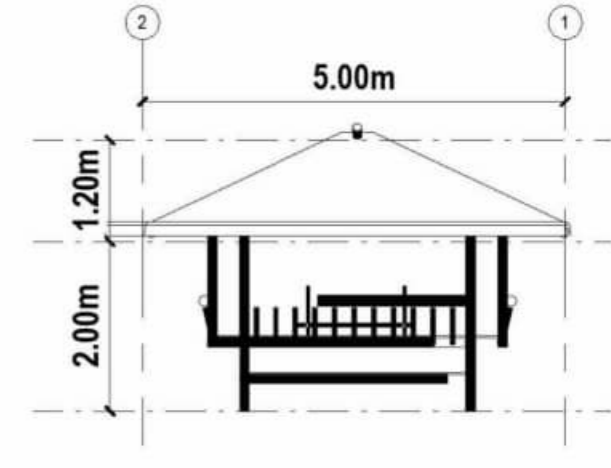
LEFT ELEVATION
SCALE 1:100 METERS



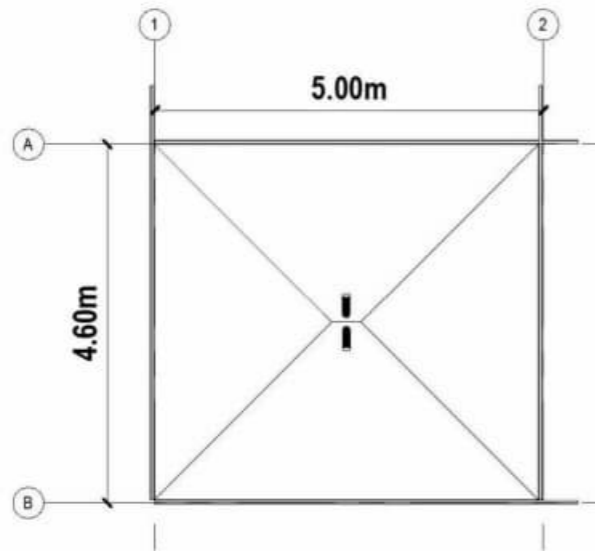
BACK ELEVATION
SCALE 1:100 METERS



SECTION AA ELEVATION
SCALE 1:100 METERS



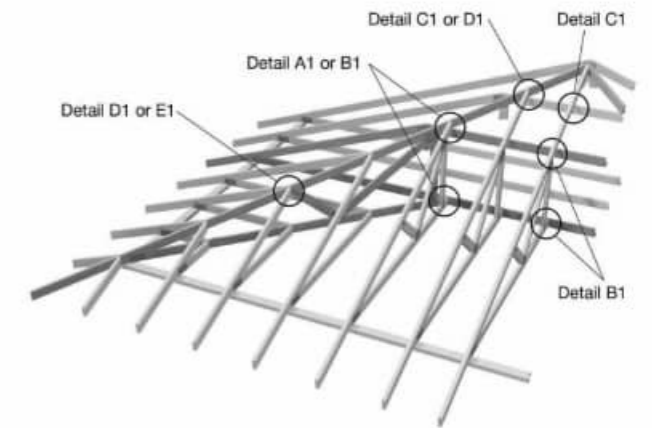
SECTION BB ELEVATION
SCALE 1:100 METERS



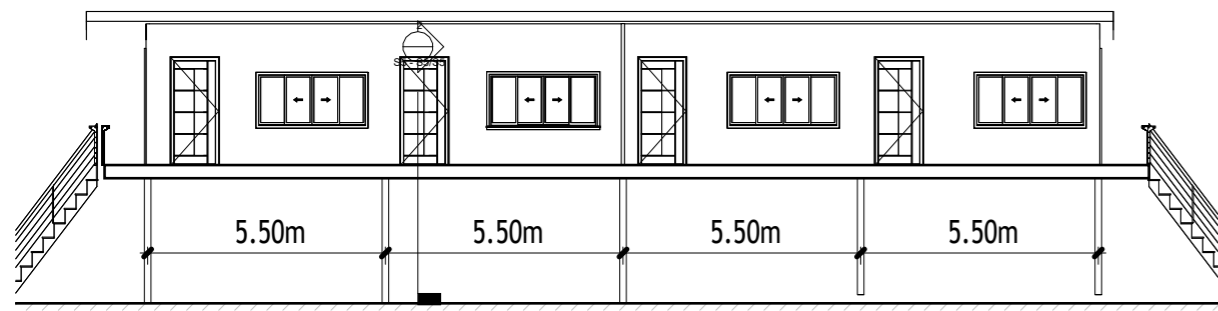
FLOOR PLAN
SCALE 1:100 METERS



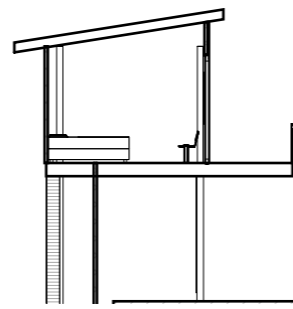
DETAIL OF TRUSS
SCALE 1:50 M



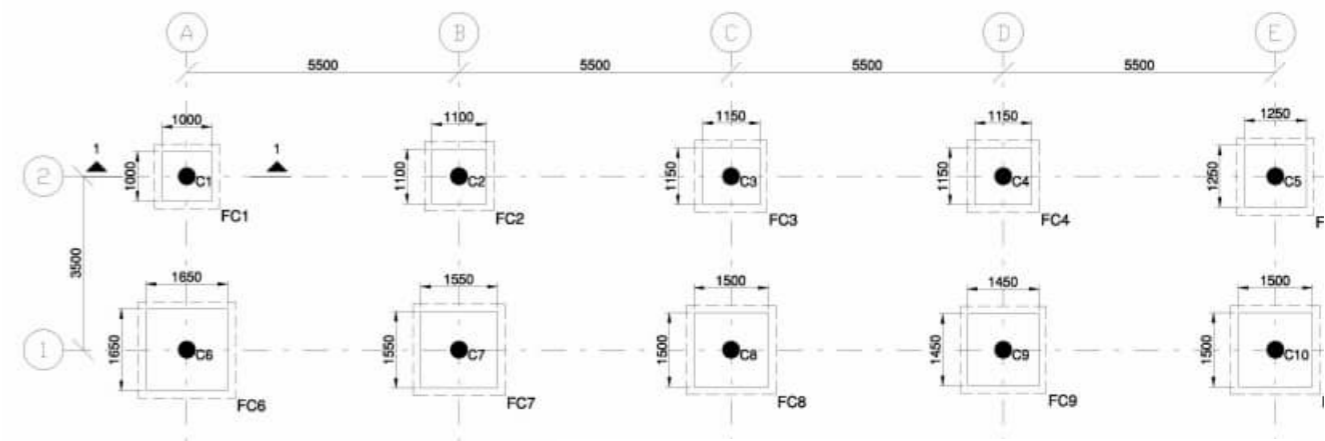
PREPARED BY: ENGR. RONIE G. ALONZO Civil Engineer	PRC NO : PTR NO. : 151596	SEAL	PROJECT TITLE : Construction of Swimming Pool Resort with Cottages and Function Hall BUILDING PLAN	CONFORMED BY : MERDOLINE DONAIRE MIER Owner / Applicant	Sheet no.	
	Date issued :		Location: BRGY. BOMBA, PAGADIAN CITY		DRAWN BY: EDGAR D. CASEÑAS #09383120747	
	Issued at :					
	Valid Until :					



1 Section 3
S5-S5/S5
SCALE 1:175

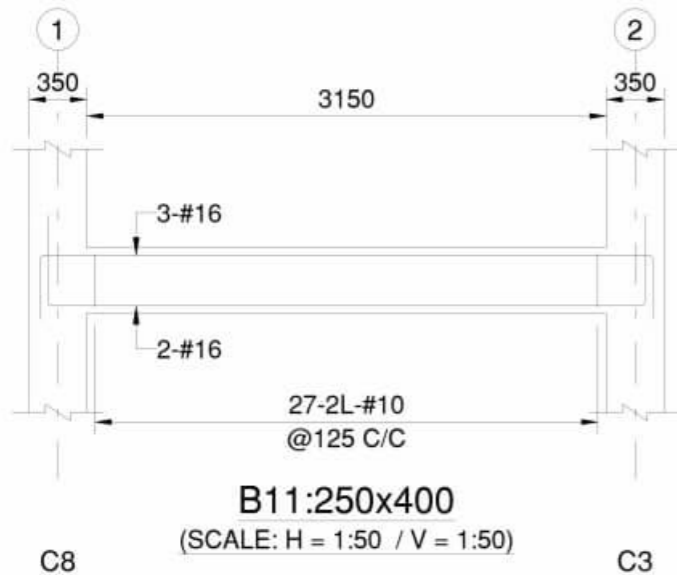


2 Section 4
S5-S5/S5
SCALE 1:175

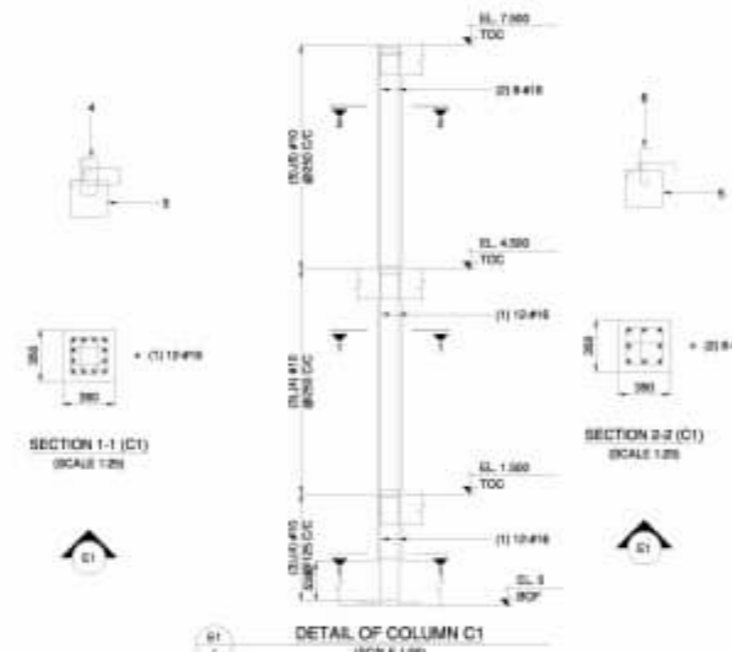


SWIMMING POOL FOOTING FRAMING PLAN

SCALE 1:100 METERS



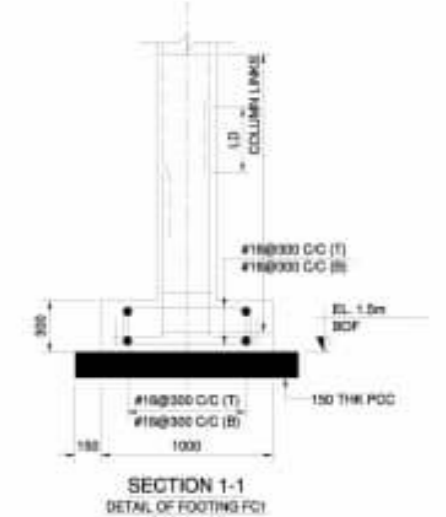
C8 **B11:250x400**
(SCALE: H = 1:50 / V = 1:50) **C3**



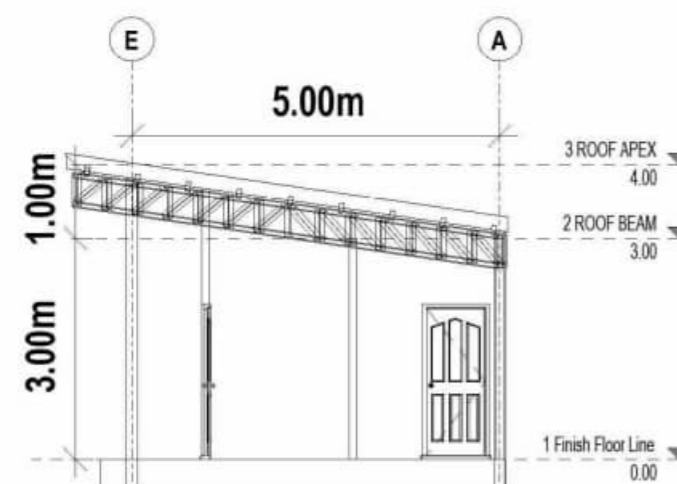
DETAIL OF COLUMN C1
(SCALE 1:50)



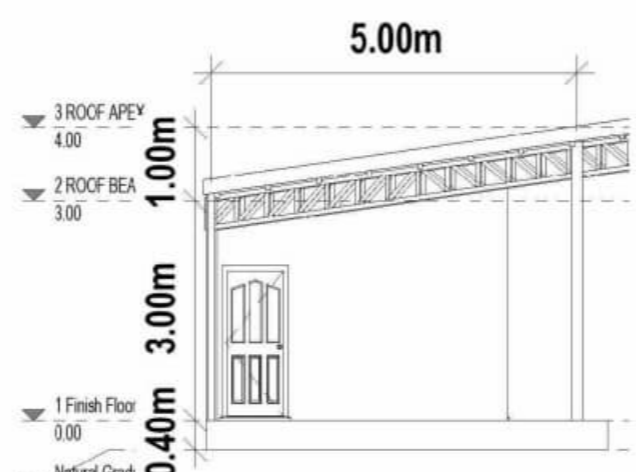
FOOTING FC1- PLAN
(SCALE 1:25)



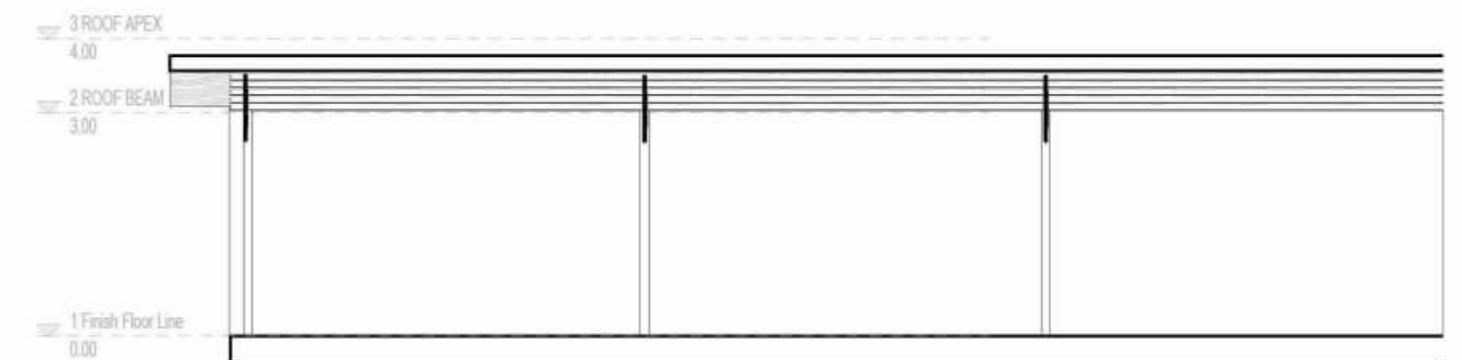
SECTION 1-1 DETAIL OF FOOTING FC1
(SCALE 1:25)



RIGHT ELEVATION
SCALE 1:100 METERS



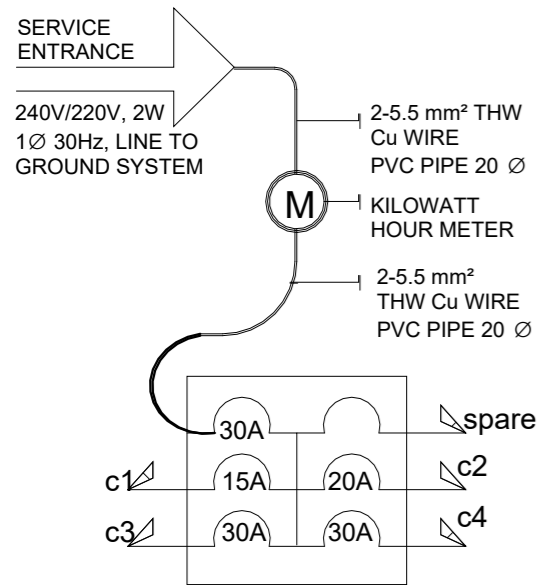
LEFT ELEVATION
SCALE 1:100 METERS



SECTION A.A.
SCALE 1:100 METERS

PREPARED BY: ENGR. RONIE G. ALONZO Civil Engineer	PRC NO : PTR NO. : 151596	SEAL	PROJECT TITLE : Construction of Swimming Pool Resort with Cottages and Function Hall BUILDING PLAN	CONFORMED BY : MERDOLINE DONAIRE MIER Owner / Applicant	Sheet no. <div style="border: 1px solid black; border-radius: 50%; width: 40px; height: 40px; display: flex; align-items: center; justify-content: center; margin: 0 auto;"> <div style="text-align: center;">S</div> <div style="display: flex; gap: 5px;"> <div style="text-align: center;">5</div> <div style="text-align: center;">5</div> </div> </div>	
	Date issued :		Location: BRGY. BOMBA, PAGADIAN CITY			DRAWN BY: EDGAR D. CASEÑAS #09383120747
	Issued at :					
	Valid Until :					

SINGLE LINE DIAGRAM



SCHEDULE OF LOADS AND COMPUTATION

CKT. NO.	DESCRIPTION	L.O	SWITCHES			C.O	WATT	VOLT	AMP.	BRANCH CIRCUIT	CONDUCTOR AND CONDUITS
			S1	S2	S3						
1	20w PINLIGHTS		35				700	230	3.043	15	2 - 2.0mm dia. THW WIRE in 15mm dia. PVC PIPE
2	CONVENIENCE OUTLET					6	1080	230	4.696	20	2 - 3.5mm dia. THW WIRE in 15mm dia. PVC PIPE
TOTAL							1780	230	7.739		

A) SERVICE ENTRANCE...

$$ITC = 3.043 + 4.696 = 7.739 (1.25)$$

$$= \mathbf{9.674}$$

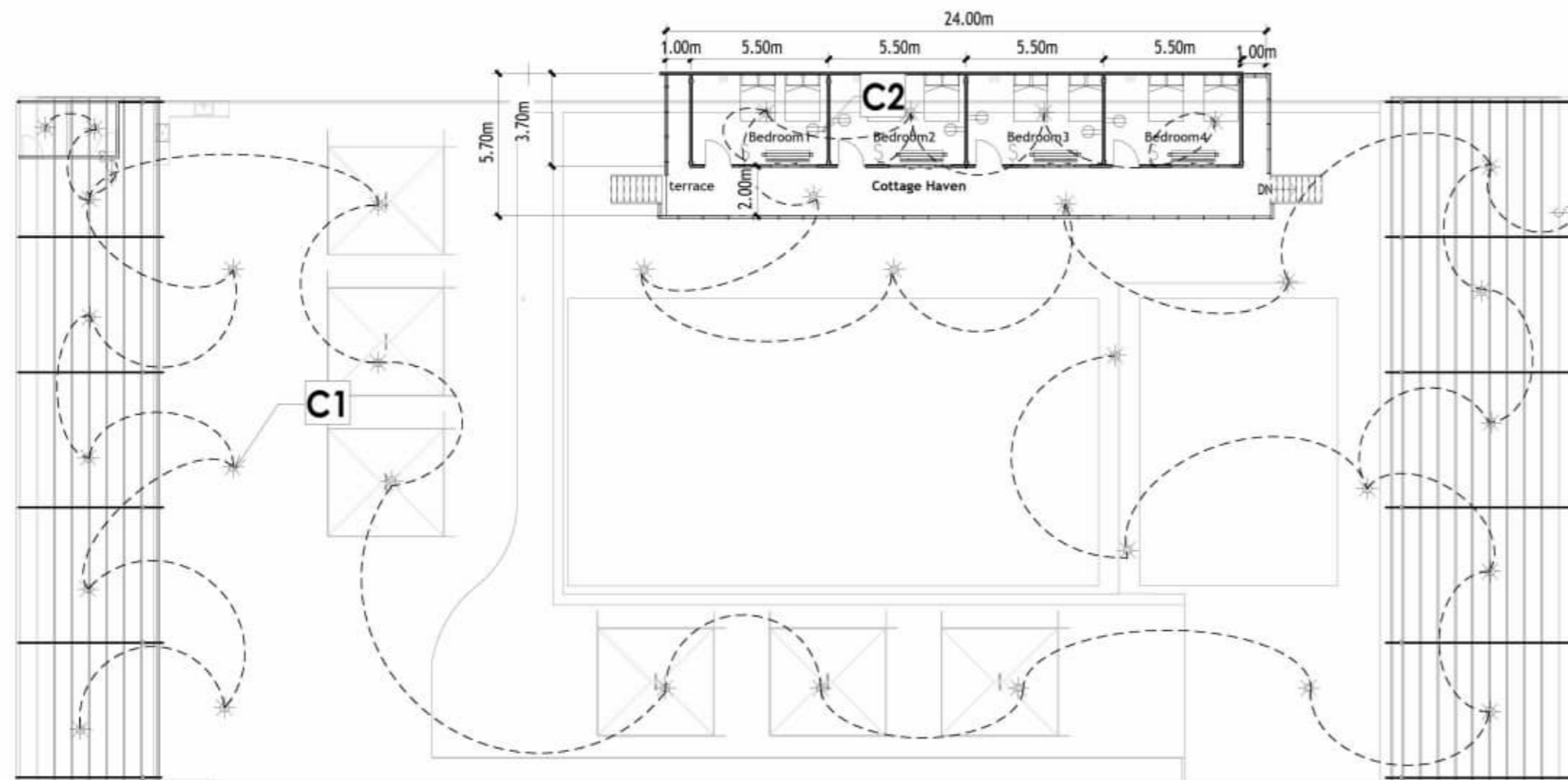
USE: 2 - # 5.5mm T.W IN 1"Ø PVC PIPE

B) MAIN DISCONNECT SWITCH:

$$ITC = 3.043 + 4.696 = 7.739 (2.50)$$

$$= \mathbf{19.348}$$

USE: A 30AT, 2 - P CIRCUIT BREAKER



ELECTRICAL LIGHTING AND POWER LAYOUT

THIS SITE



LOCATION PLAN

REPUBLIC OF THE PHILIPPINES
REGION - IX

O.B.O.

OFFICE OF THE BUILDING OFFICIALS

Building Official

ELECTRICAL:

ELECTRICAL NOTES

POWER SUPPLY SHALL BE 240 / 220 VAC, 1Ø, 2W, 60HZ, 240 V/ LINE-TO-LINE GROUND SYSTEMS.

ALL ELECTRICAL MATERIALS SHALL BE NEW AND APPROVED TYPE AS TO LOCATION AND USE OR PURPOSE;

ALL WIRING INSTALLATIONS SHALL BE EMBEDDED OR DONE THROUGH UNDERGROUND WITH THE PRESCRIBED SAFETY & STANDARD;

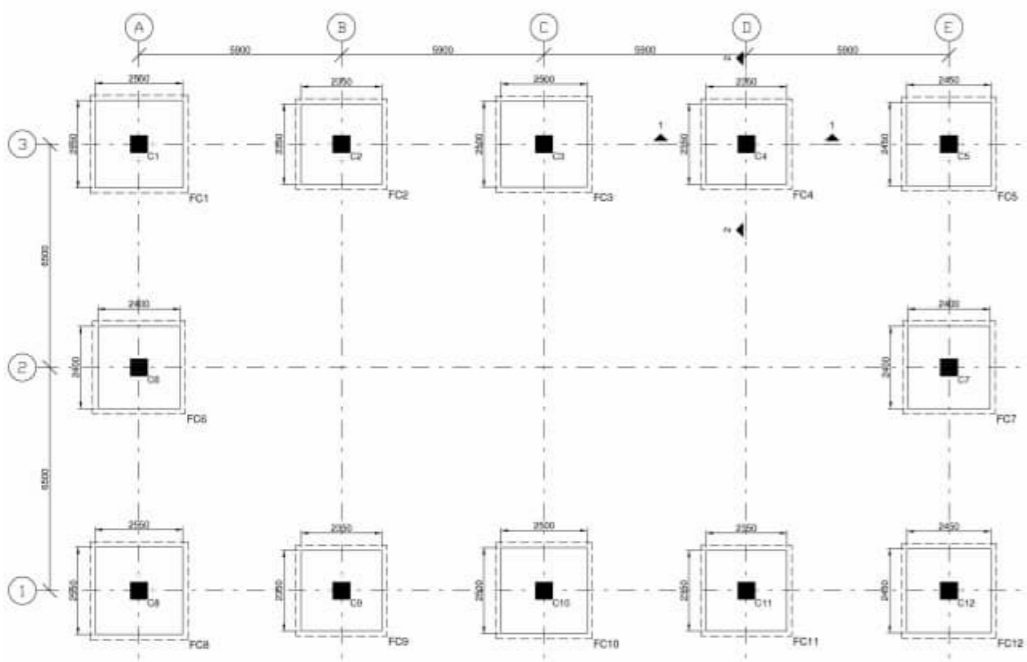
ALL WIRING INSTALLATION SHALL CONFORM WITH THE LATEST PROVISIONS OF PEC AS WELL AS PD

ALL ELECTRICAL WORKS SHALL BE DONE WITH DIRECT SUPERVISION OF PEE OR REE.

ELECTRICAL SYMBOLS

	SERVICE ENTRANCE
	PANEL BOARD
	WATT-HOUR METER
	CIRCUIT BREAKERS
	SPECIAL OUTLET
	FLOURESCENT LAMP
	PIN LIGHT
	SWITCH LINE
	HOMERUN CONDUCTOR
	CONVENIENCE OUTLET
	THUMBLER SWITCH
	POST LAMP
	CHANDELLIER

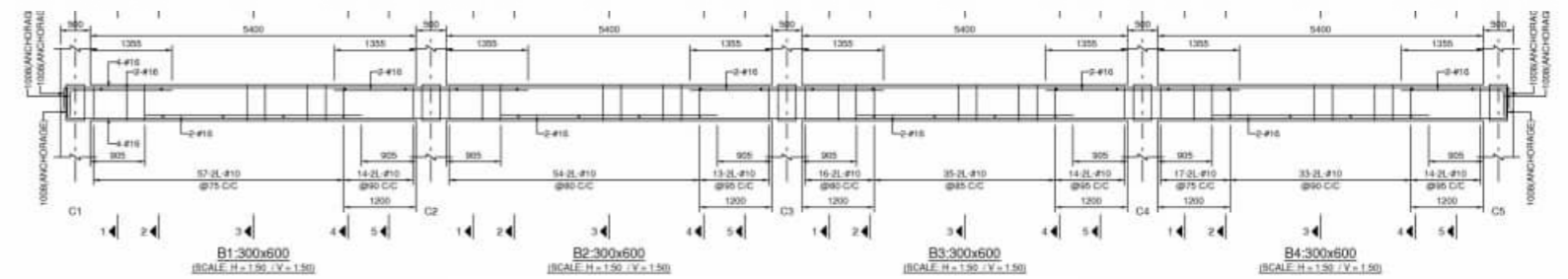
PREPARED BY:	PRC NO: 2860	SEAL	PROJECT TITLE:	CONFORMED BY:	SHEET CONTENT:
ARNEL P. CANTERO PROFESSIONAL ELECTRICAL ENGINEER	PTR NO: 5629213		ELECTRICAL WIRING INSTALLATION	MERDOLINE DONAIRE MIER OWNER/APPLICANT	Schedule of Loads and Computation Electrical Notes and Symbols One Line Diagram Vicinity Sketch Electrical Layout
	DATE: 01/05/2024				
	PLACE: PAGADIAN CITY				
	T.I.N. 131 - 657 - 507				
	MOBILE NO: 09196049803				
		LOCATION: BRGY. BOMBA, PAGADIAN CITY			E1 E1



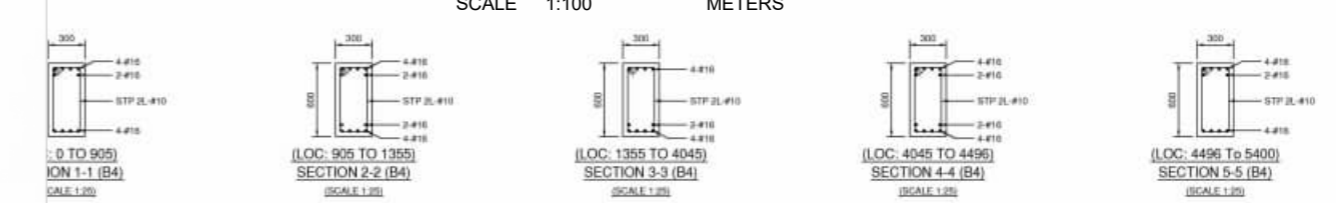
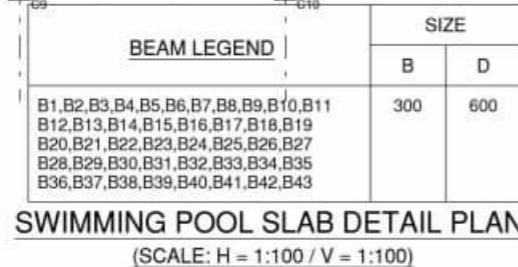
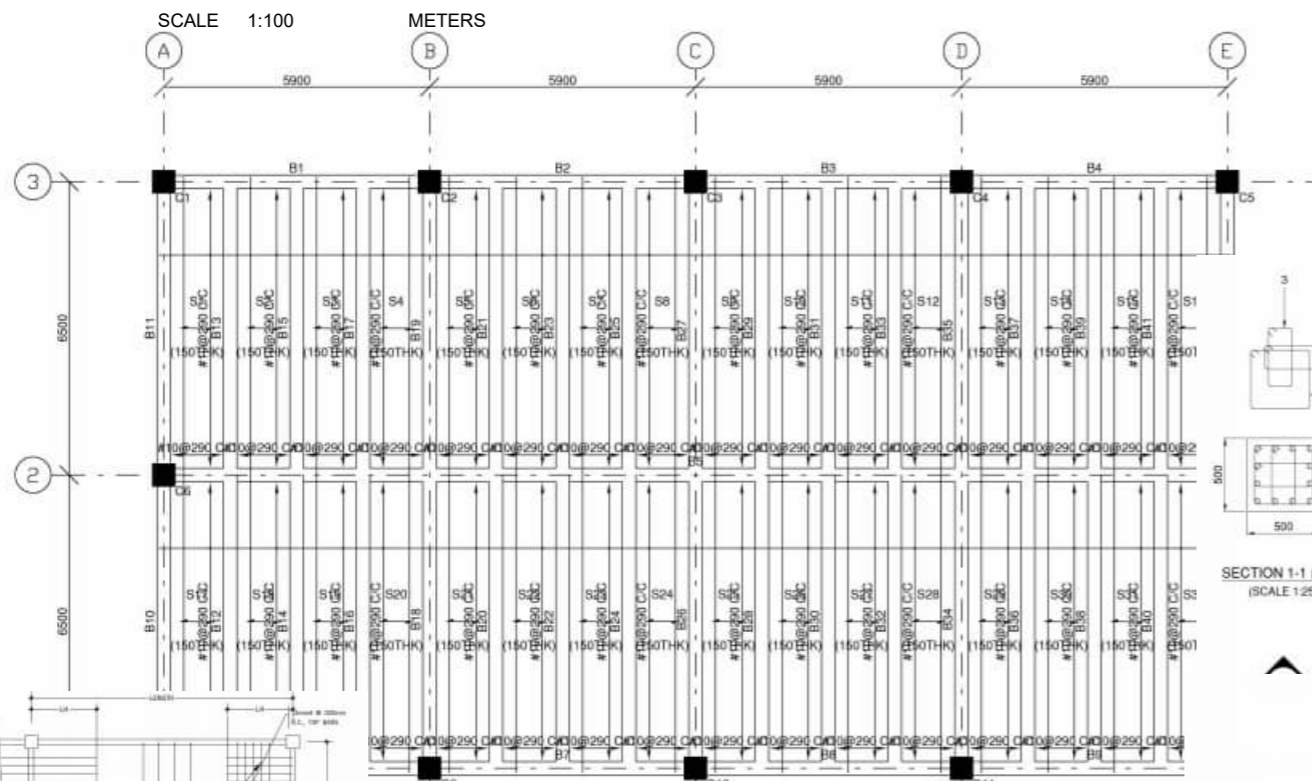
SWIMMING POOL FOOTING FRAMING PLAN



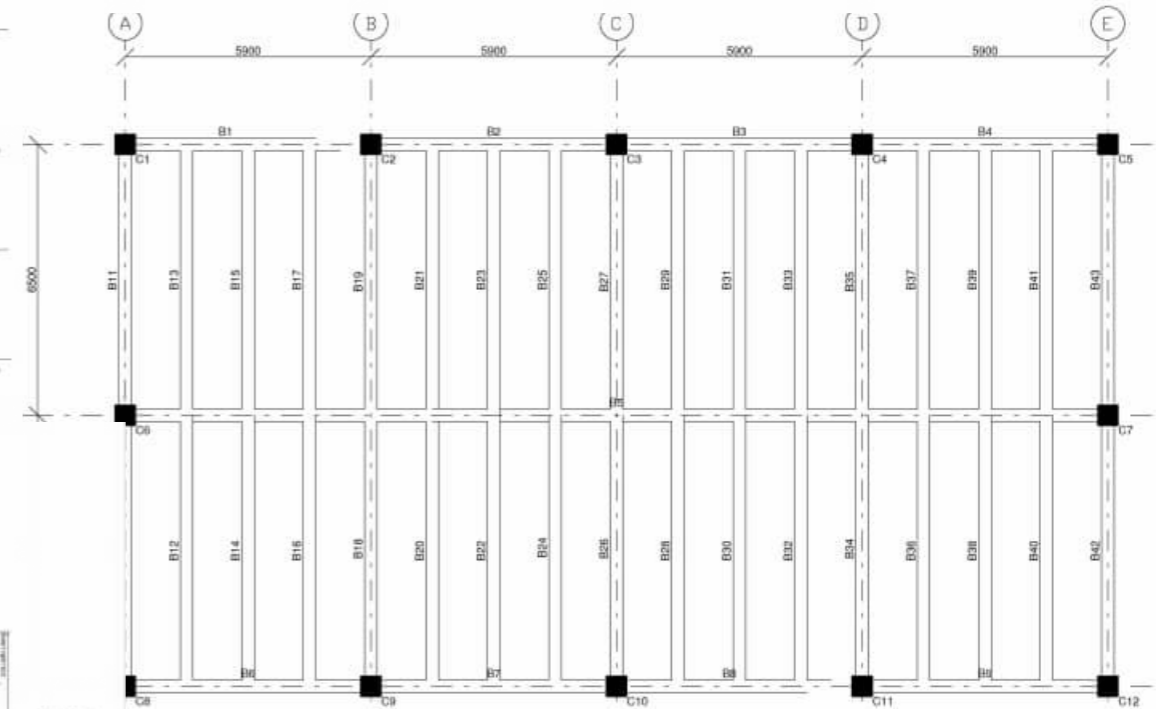
SWIMMING ELEVATION DETAIL



SWIMMING POOL BEAM DETAIL PLAN



COLUMN DETAIL PLAN



SWIMMING POOL TIE BEAM FRAMING PLAN

SCALE 1:100 METERS

PREPARED BY:
ENGR. RONIE G. ALONZO
Civil Engineer

PRC NO :
PTR NO. : 151596
Date issued :
Issued at :
Valid Until :

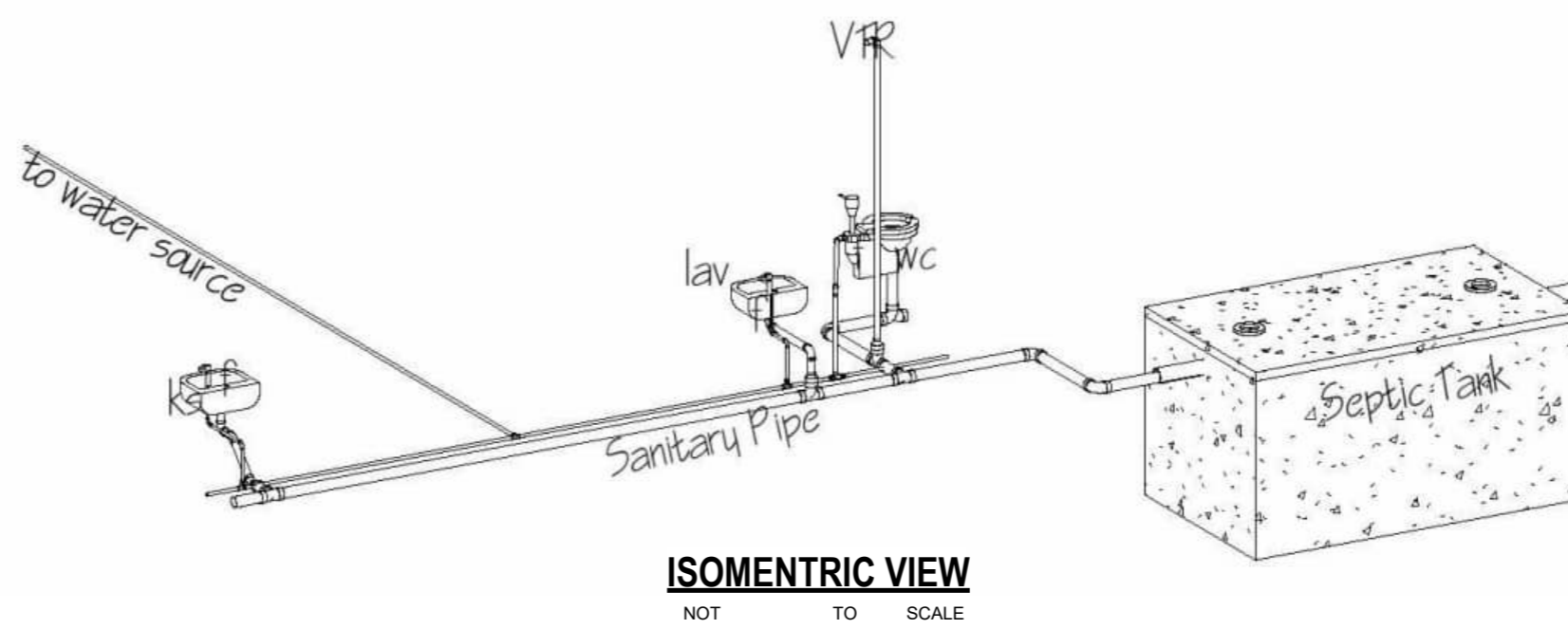
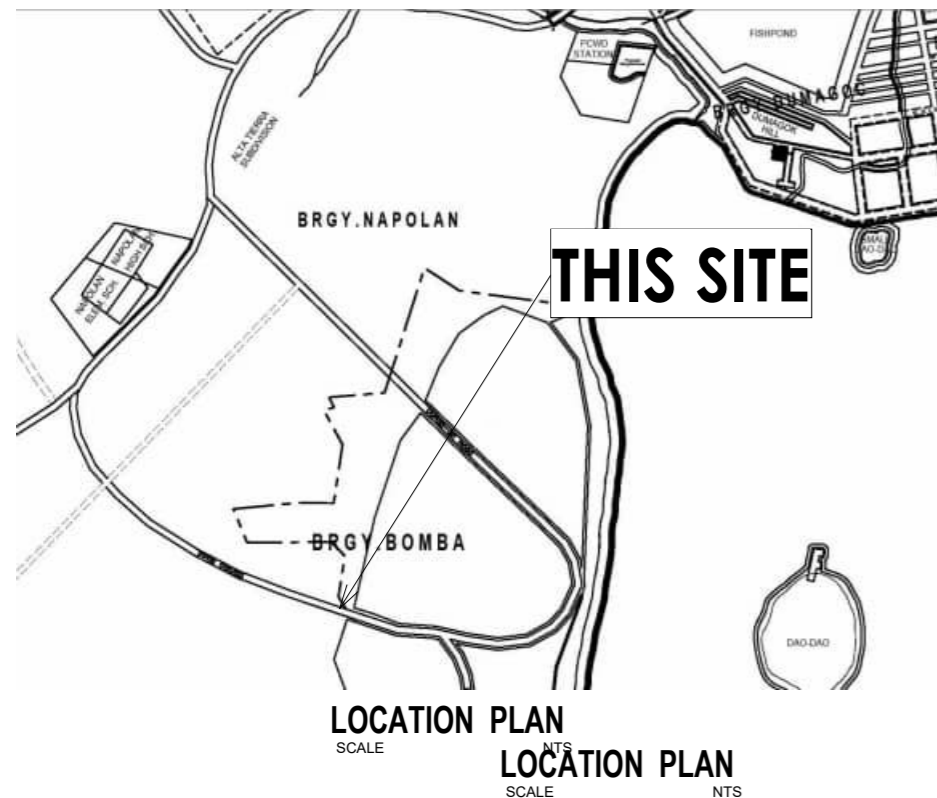
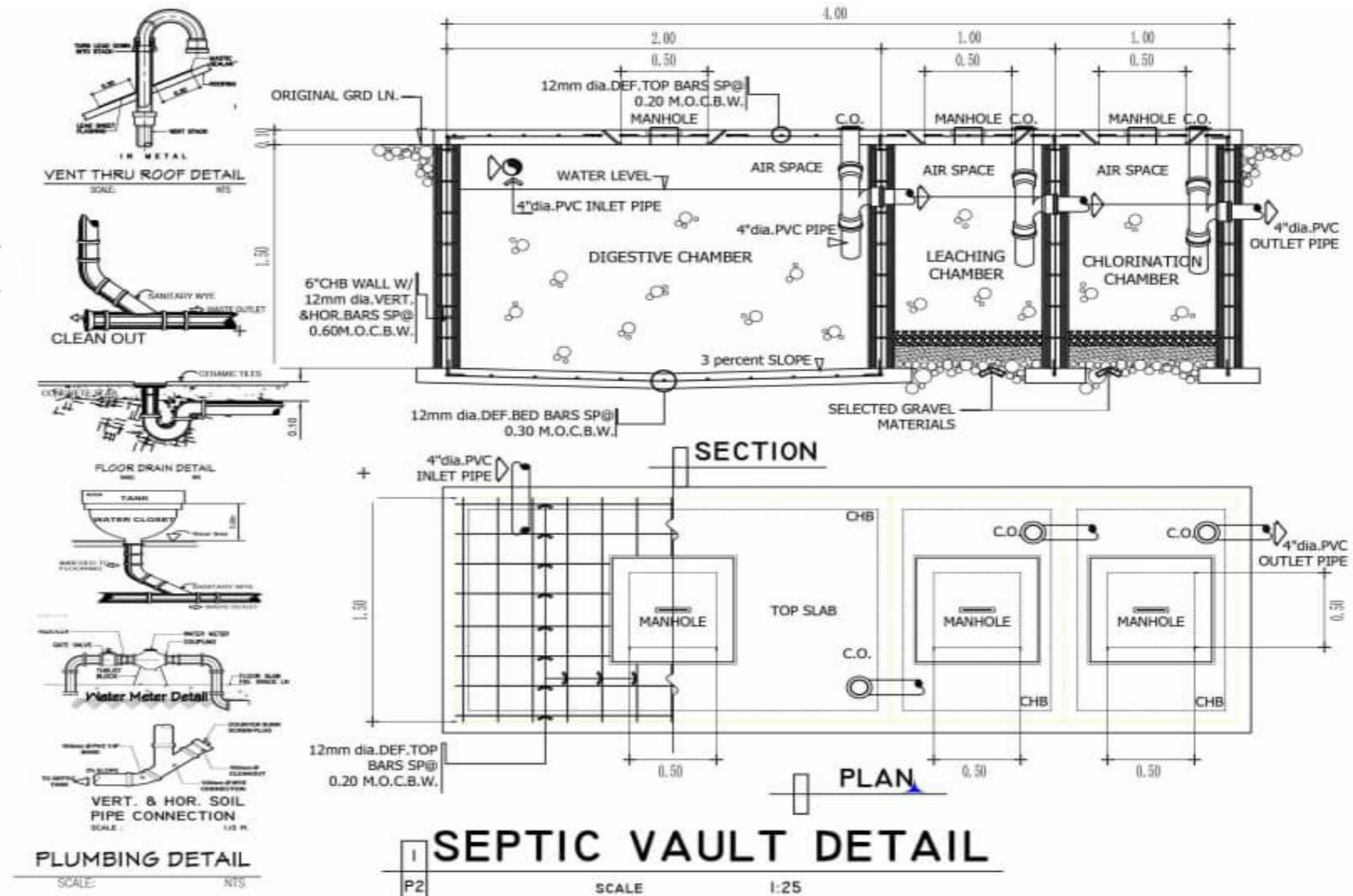
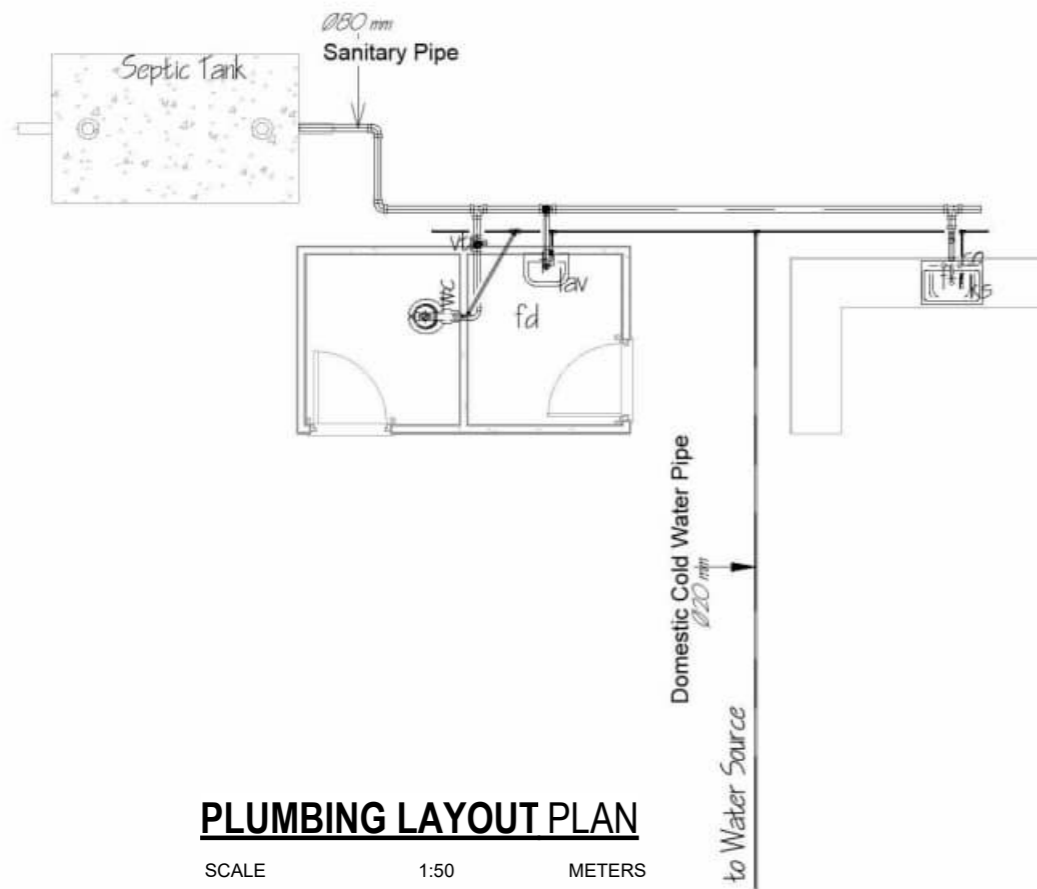
SEAL

PROJECT TITLE :
Construction of Swimming Pool Resort with Cottages and Function Hall
BUILDING PLAN
Location: BRGY. BOMBA, PAGADIAN CITY

CONFORMED BY :
MERDOLINE DONAIRE MIER
Owner / Applicant

Sheet no.
S
6 6

DRAWN BY: EDGAR D. CASEÑAS #09383120747



REPUBLIC OF THE PHILIPPINES
REGION - IX
O.B.O.
OFFICE OF THE BUILDING OFFICIALS
CITY OF PAGADIAN

Building Official

PLUMBING/SANITARY:

SPECIFICATION

ALL PLUMBING INSTALLATION SHALL CONFORM TO THE STANDARD / RULES AND REGULATIONS OF THE NATIONAL PLUMBING CODE OF THE PHILIPPINES AND THE LOCAL GOVERNMENT.

ALL PLUMBING INSTALLATIONS SHALL BE UNDER THE DIRECT AND STRICT SUPERVISION OF DULY LICENSED PLUMBING ENGINEER OR REGISTERED MASTER PLUMBER.

ALL SPECIFICATION ABOVE SHOULD BE STRICTLY OBSERVED.

PLUMBING SYMBOLS

WC	WATER CLOSET
LAV	LAVATORY
FD	FLOOR DRAIN
F	FAUCET
ST	SEPTIC TANK
MH	MANHOLE
CO	CLEAN OUT
KS	KITCHEN SINK
SHO	SHOWER
BT	BATH TUB
VTR	VENT THRU ROOF
—	DRAINAGE SYSTEM
—	WATER DISTRIBUTION

PREPARED BY:
ENGR. RONIE G. ALONZO
Civil Engineer

PRC NO :
PTR NO :
Date issued :
Issued at :
Valid Until :

SEAL

PROJECT TITLE :
Construction of Swimming Pool Resort with Cottages and Function Hall
BUILDING PLAN
Location: BRGY. BOMBA, PAGADIAN CITY

CONFORMED BY :
MERDOLINE DONAIRE MIER
Owner / Applicant

Sheet no.
P
1 1
DRAWN BY: EDGAR D. CASEÑAS #09383120747